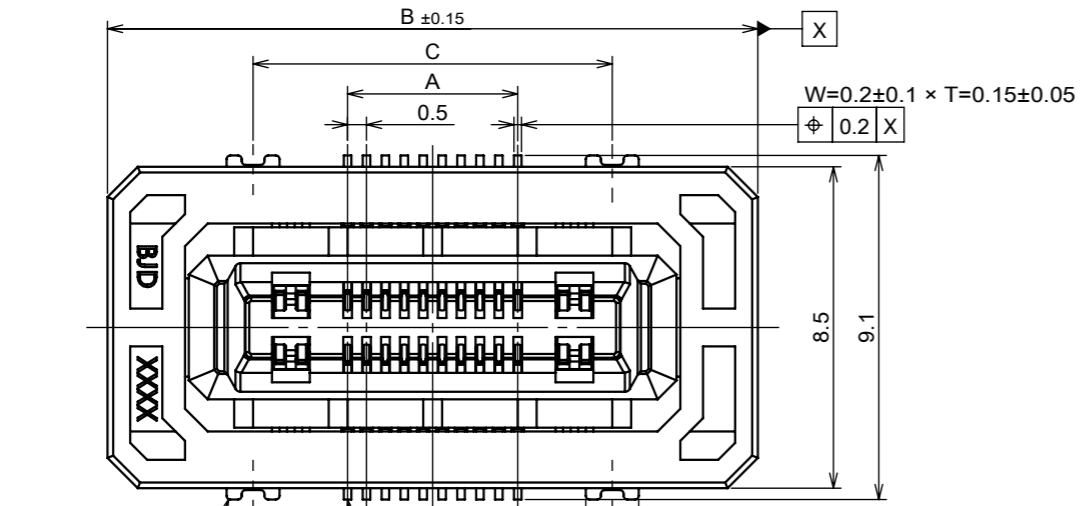
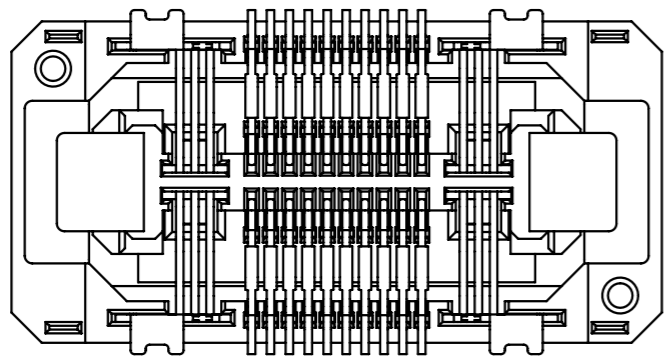
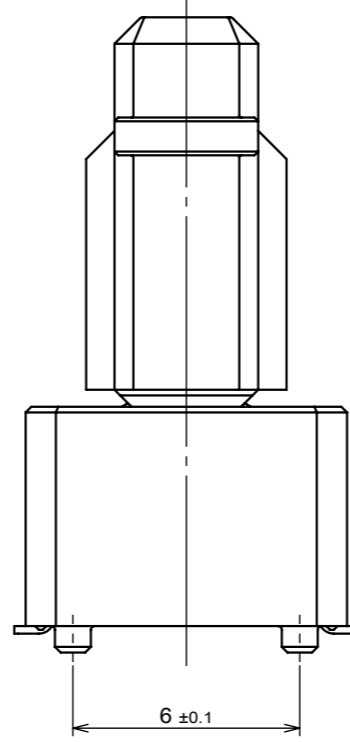
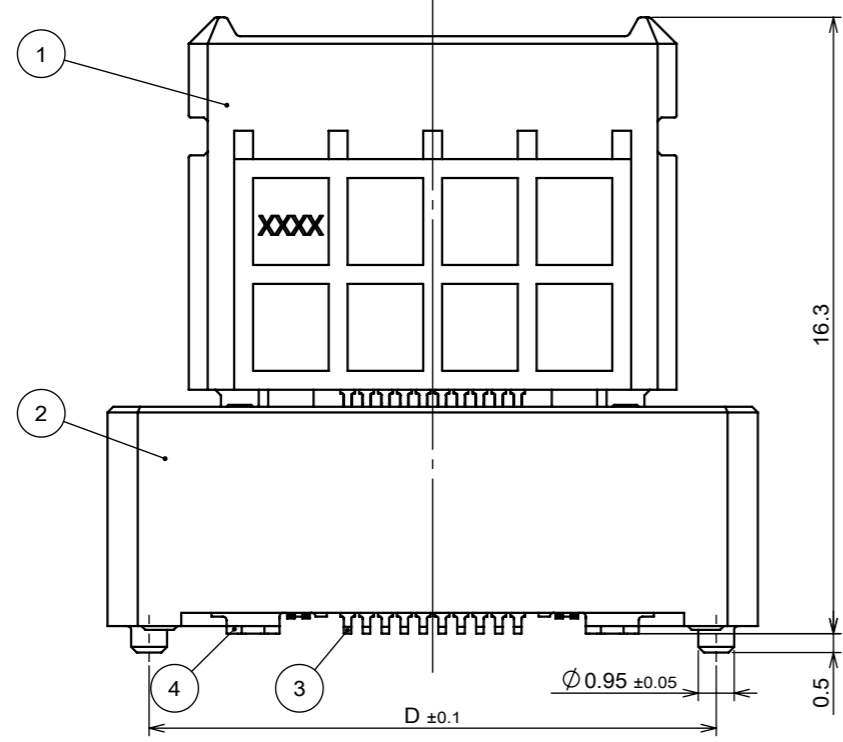


A B C D E F G H

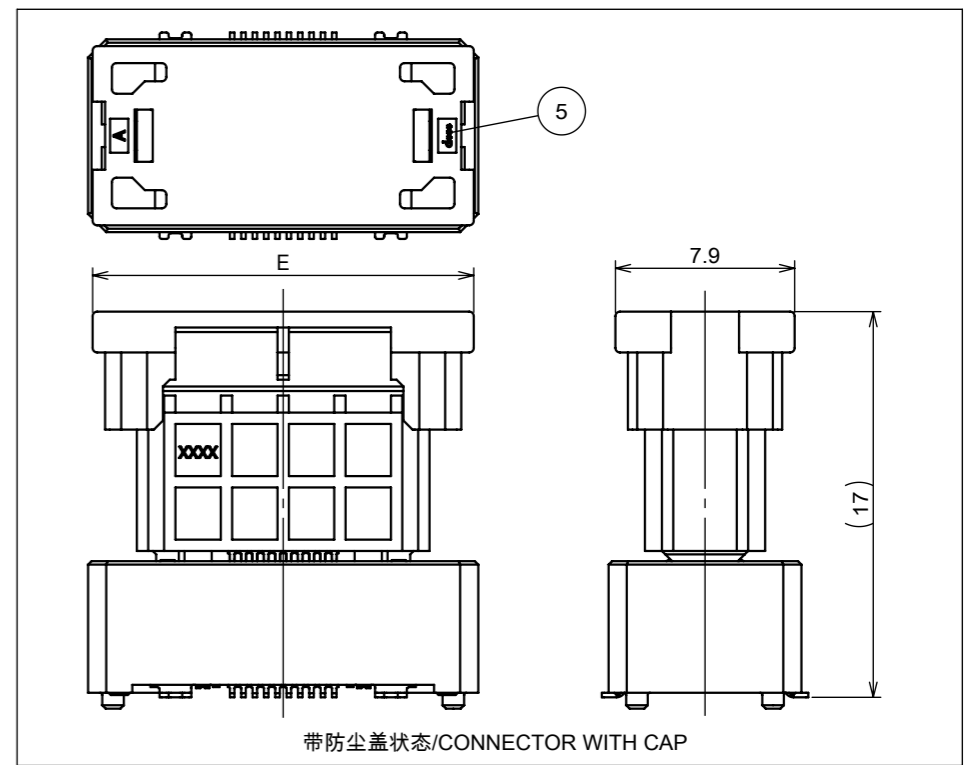
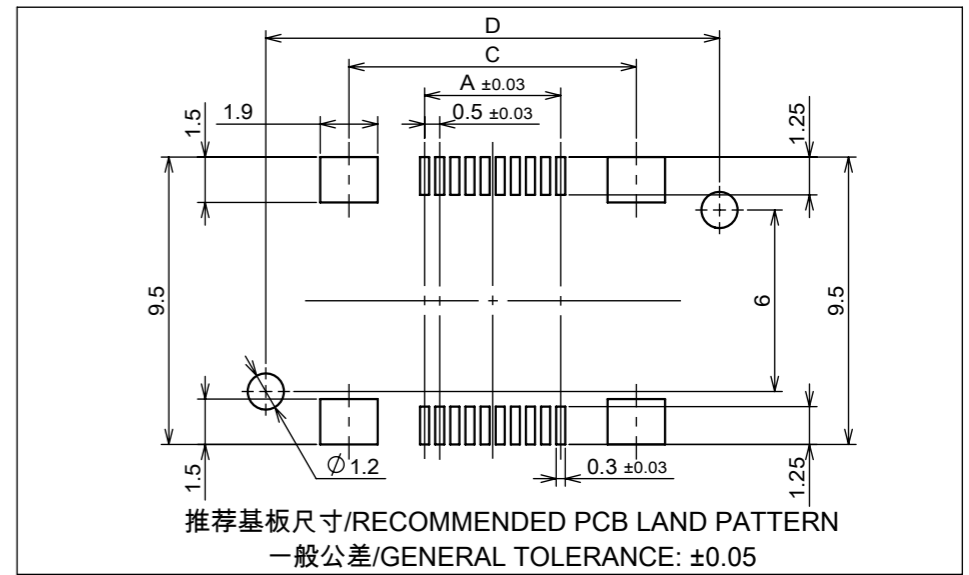


POWER PIN×4 SIGNAL PIN×n W=1.4±0.1 × T=0.3±0.05



NOTE
 1. 平面度 / COPLANARITY : 0.1MAX
 2. 该连接器是对称结构, 请根据情况自定义极性引脚(第1PIN)。
 This connector is a symmetrical structure, please customize the polarity PIN (1st PIN) according to the situation.

CKT	P/N	A	B	C	D	E
20	123068-602050-HF	4.5	17.2	9.5	15.0	16.8
40	123068-604050-HF	9.5	22.2	14.5	20.0	21.8
60	123068-606050-HF	14.5	27.2	19.5	25.0	26.8
80	123068-608050-HF	19.5	32.2	24.5	30.0	31.8
100	123068-600050-HF	24.5	37.2	29.5	35.0	36.8
120	123068-610250-HF	29.5	42.2	34.5	40.0	41.8
140	123068-610450-HF	34.5	47.2	39.5	45.0	46.8
160	123068-610650-HF	39.5	52.2	44.5	50.0	51.8



No.	Part name	Quantity	Material	Plating
5	CAP	1	Heat resistance resin (UL94 V-0)	N/A
4	Power Contact	4	Copper alloy	Under: Ni 40~200μ" Contact: Au 4μ" MIN. Tail: Au 2μ" MIN.
3	Signal Contact	Pin number	Copper alloy	Under: Ni 40~200μ" Contact: Au 4μ" MIN. Tail: Au 2μ" MIN.
2	Guide	1	Heat resistance resin (UL94 V-0)	N/A
1	Insulator	1	Heat resistance resin (UL94 V-0)	N/A

SER				REVISIONS				CHK				DATE				UNIT		mm		DRAWN		DATE		SIZE		SCALE		REV																									
																GENERAL TOLERANCE/ 一般公差		X < 10 ±0.2		20 ≤ X < 30 ±0.25		30 ≤ X ±0.3		ANGLE/角度 ±3°		客户图 CUSTOMER DRAWING		PAGE 1 OF 1		PART NUMBER 123068-60XX50-HF		APPROVED TS.Chen		DATE 2024/04/20		PART NAME BTB0.5-8-R9 Receptacle		CHECKED QF.Dong		DATE 2024/04/20		DRAWING NUMBER SBA-B0508-003		DRAWN ZF.Luo		DATE 2024/04/20		SIZE A3		SCALE 5:1		REV X0	

1
2
3
4
5
6