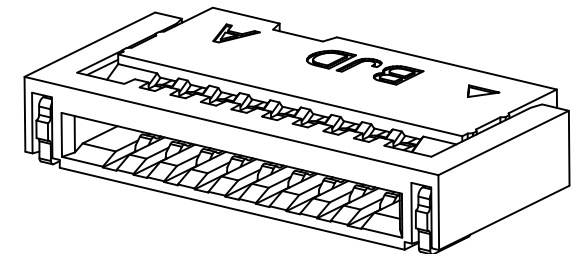
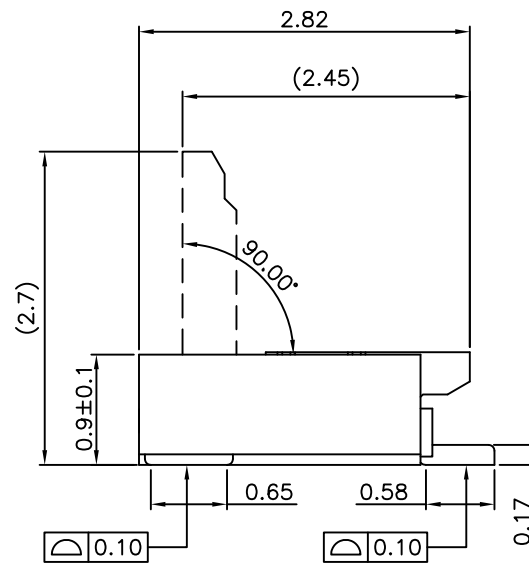


SECTION A-A

NOTES:

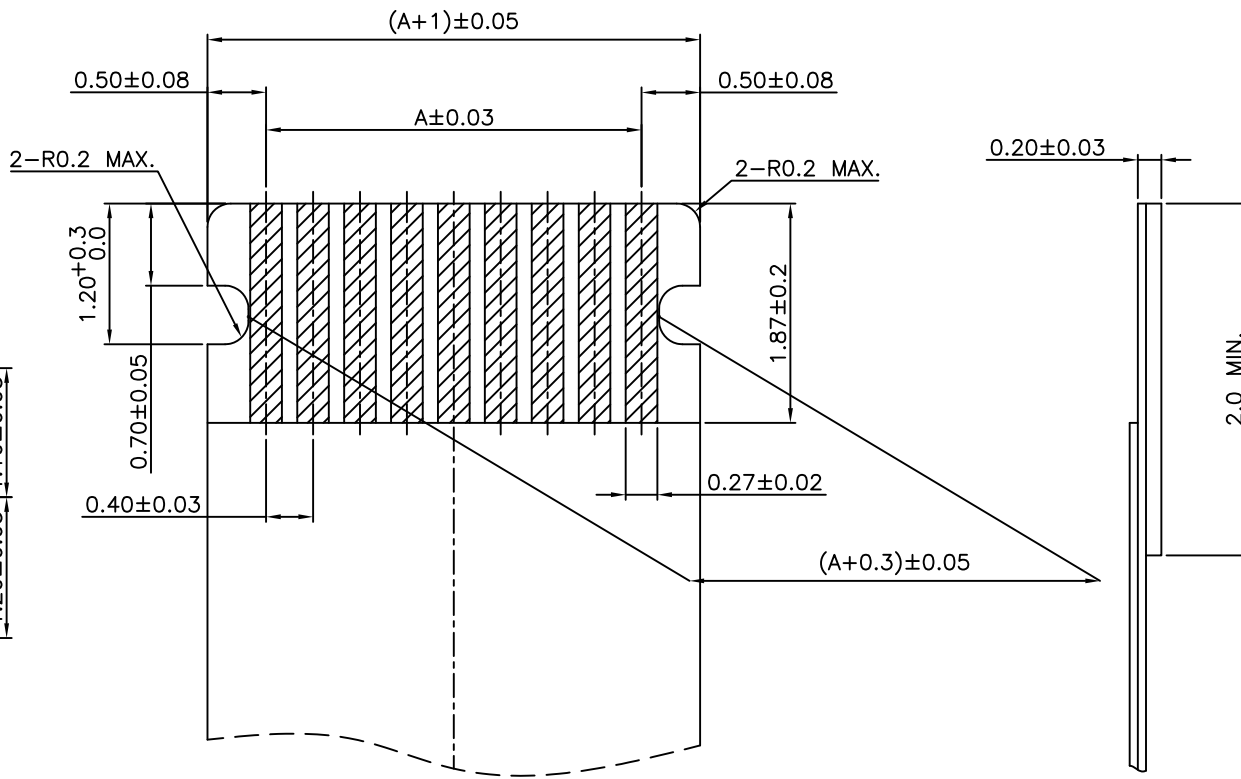
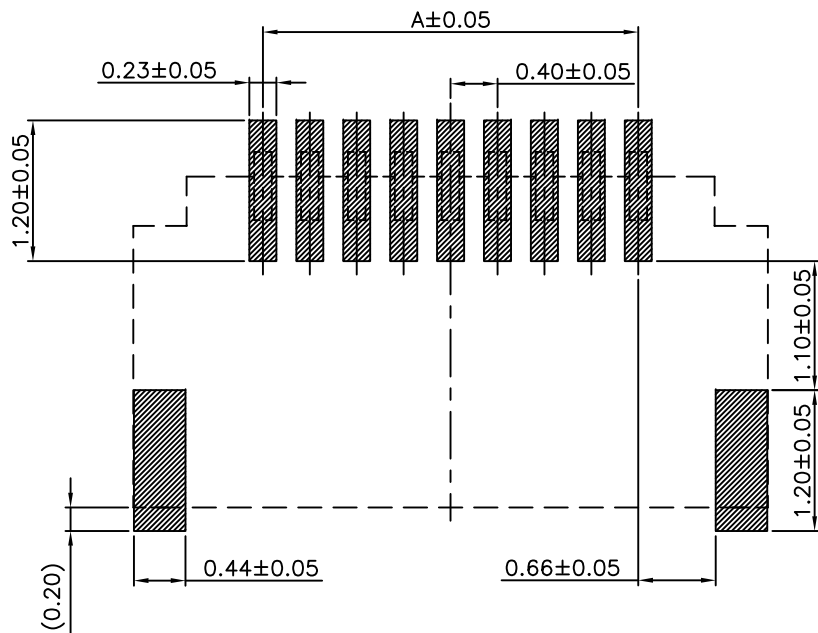
- 1.HOUSING MATERIAL:HEAT RESISTANT PLASTIC UL94V-0
- 2.ACTUATOR MATERIAL:HEAT RESISTANT PLASTIC UL94V-0
- 3.TERMINAL MATERIAL:PHOSPHOR BRONZE
- 4.FITTING NAIL MATERIAL:BRASS
- 5.PLATING:
 TERMINAL:NICKEL UNDER PLATED OVERALL
 GOLD PLATING ON CONTACT AREA AND ONSOLDER AREA
 FITTING NAIL:MATTE TIN OVERALL NICKEL UNDER PLATED
- 6.PART NO. SPECIFICATION:F040901-20XX50



Pin No.

No. of	Dimensions			
Contacts (n)	A	B	C	D
9	3.20	5.41	4.25	4.96
10	3.60	5.80	4.70	5.36
12	4.40	6.60	5.10	6.16

				UNLESS OTHERWISE SPECIFIED TOLERANCES ARE	Customer Drawings	北极大电子科技有限公司 BEIJIDA ELECTRONICS TECHNOLOGY CO. LIMITED				
				X. ±0.20	APPROVED	DATE	COMPUTER NO F040901-20XX50			
				X.XX ±0.10	CHECKED	DATE	NAME FPC0409A Series			
				X.XXX	Yunxing.Zhang	2023-11-18	Pitch0.4 H0.9 Back Flip FPC/FFC CONN			
				ANG. ±0°30'	DRAWN	DATE	SIZE	SHEET	REV	
SER	REVISIONS	CHK	DATE	UNIT	MM	Kevin	2023-11-18	A4	1/2	A



				UNLESS OTHERWISE SPECIFIED TOLERANCES ARE	Customer Drawings	北极大电子科技有限公司 BEIJIDA ELECTRONICS TECHNOLOGY CO. LIMITED				
				X.	APPROVED	DATE	COMPUTER NO F040901-20XX50			
				X.X ±0.20	CHECKED	DATE	NAME FPC0409A Series			
				X.XX ±0.10	Yunxing.Zhang	2023-11-18	Pitch0.4 H0.9 Back Flip FPC/FFC CONN			
				X.XXX	DRAWN	DATE	SIZE	SHEET	REV	
				ANG. ±0'30'	Kevin	2023-11-18	A4	2/2	A	
SER	REVISIONS	CHK	DATE	UNIT						
				MM						