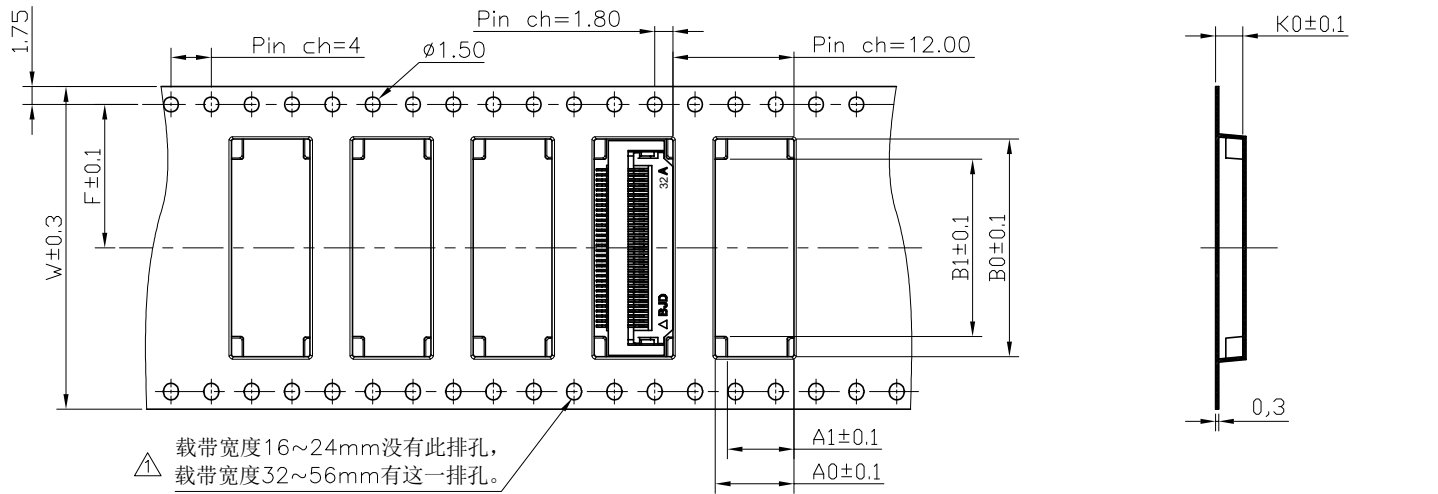
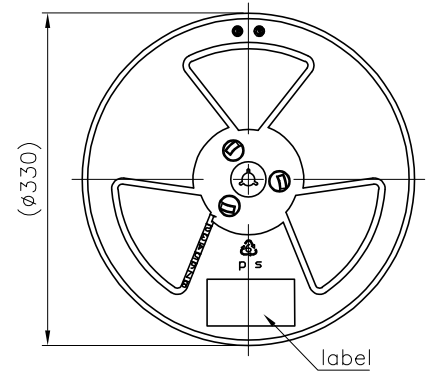
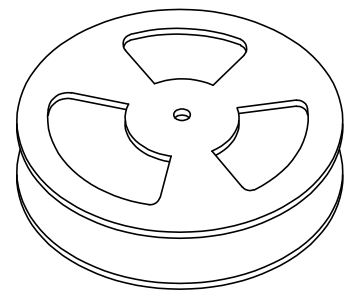




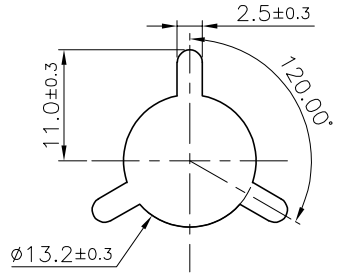
Pin数	A0	A1	B0	B1	K0	F	V	卷数量
4			7.60	3.60		6.25	16	
5			8.10	4.10		6.25	16	
6			8.60	4.60		6.25	16	
7			9.10	5.10		10.25	24	
8			9.60	5.60		10.25	24	
9			10.10	6.10		10.25	24	
10			10.60	6.60		10.25	24	
11			11.10	7.10		10.25	24	
12			11.60	7.60		10.25	24	
13			12.10	8.10		10.25	24	
14			12.60	8.60		10.25	24	
15			13.10	9.10		10.25	24	
16			13.60	9.60		10.25	24	
17			14.10	10.10		10.25	24	
18			14.60	10.60		10.25	24	
19			15.10	11.10		10.25	24	
20			15.60	11.60		10.25	24	
21			16.10	12.10		10.25	24	
22			16.60	12.60		10.25	24	
23			17.10	13.10		14.25	32	
24			17.60	13.60		14.25	32	
25			18.10	14.10		14.25	32	
26			18.60	14.60		14.25	32	
27			19.10	15.10		14.25	32	
28			19.60	15.60		14.25	32	
29			20.10	16.10		14.25	32	
30			20.60	16.60		14.25	32	
31			21.10	17.10		14.25	32	
32			21.60	17.60		14.25	32	
33			22.10	18.10		20.25	44	
34			22.60	18.60		20.25	44	
35			23.10	19.10		20.25	44	
36	7.80	6.60	23.60	19.60	2.70	20.25	44	2000PCS /卷
37			24.10	20.10		20.25	44	
38			24.60	20.60		20.25	44	
39			25.10	21.10		20.25	44	
40			25.60	21.60		20.25	44	
41			26.10	22.10		20.25	44	
42			26.60	22.60		20.25	44	
43			27.10	23.10		20.25	44	
44			27.60	23.60		20.25	44	
45			28.10	24.10		20.25	44	
46			28.60	24.60		20.25	44	
47			29.10	25.10		20.25	44	
48			29.60	25.60		20.25	44	
49			30.10	26.10		20.25	44	
50			30.60	26.60		20.25	44	
51			31.10	27.10		20.25	44	
52			31.60	27.60		20.25	44	
53			32.10	28.10		20.25	44	
54			32.60	28.60		20.25	44	
55			33.10	29.10		20.25	44	
56			33.60	29.60		26.25	56	
57			34.10	30.10		26.25	56	
58			34.60	30.60		26.25	56	
59			35.10	31.10		26.25	56	
60			35.60	31.60		26.25	56	
61			36.10	32.10		26.25	56	
62			36.60	32.60		26.25	56	
63			37.10	33.10		26.25	56	
64			37.60	33.60		26.25	56	
65			38.10	34.10		26.25	56	
66			38.60	34.60		26.25	56	
67			39.10	35.10		26.25	56	
68			39.60	35.60		26.25	56	



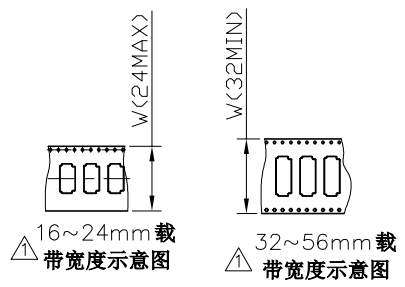
User Direction of Unreeling



SCALE 1:10



SCALE 1:1



PART NO. SPECIFICATION: 101049-20XXX0

- 1:管装
- 2:卷装

PIN数

- 1:雾锡
- 2:亮锡
- 3:镀金1u'
- 5:镀金3u'
- 6:半金锡

			UNLESS OTHERWISE SPECIFIED TOLERANCES ARE		客户图 Drawings		北极大电子科技有限公司 BEIJIDA ELECTRONICS TECHNOLOGY CO. LIMITED			
			X.                    ±0.20		APPROVED                    DATE		COMPUTER NO			
			X.X                  ±0.10		陈天舒                    2014-12-15		101049-20XXX0			
			X.XXX              ±0'30'		CHECKED                    DATE		NAME			
			ANG.		陈天舒                    2014-12-15		FPC0.5-18代H2.5掀盖式成品卷装图			
			UNIT		DRAWN		DATE		SIZE	
			MM		陈		2014-12-15		SCALE	
			SER						REV	
			4 REVISIONS		5 CHK		6 DATE		9 C	