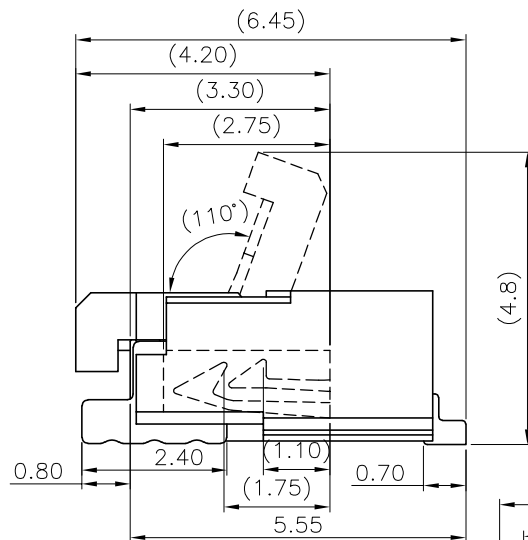
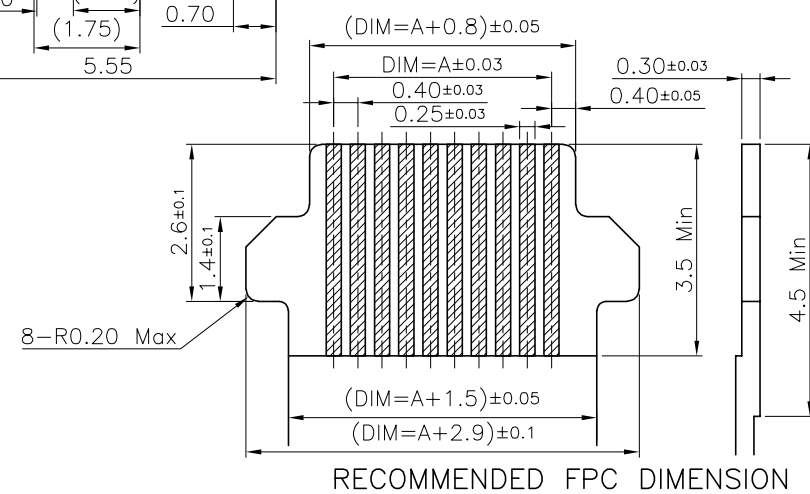


- Notes:
- Housing material: LCP(UL94V-0),Color:Black.
  - Actuator material: LCP(UL94V-0),Color:Black.
  - Terminal material: phosphor bronze.  
The overall 1.25um~2.5um Nickel Plated.  
contact and solder area gold plated 0.075um min.
  - Fitting nail material: phosphor bronze.  
The overall 1.25um~2.5um Nickel Plated.  
Plated with matte Tin(100%) 2um~3.75um.
  - ▲ "Key characteristic"; △ "important characteristic."
  - Recycled materials account for 20%
  - PART NO. Specifications: 101110-20XX50-HF
  - CPK more than 1.67.

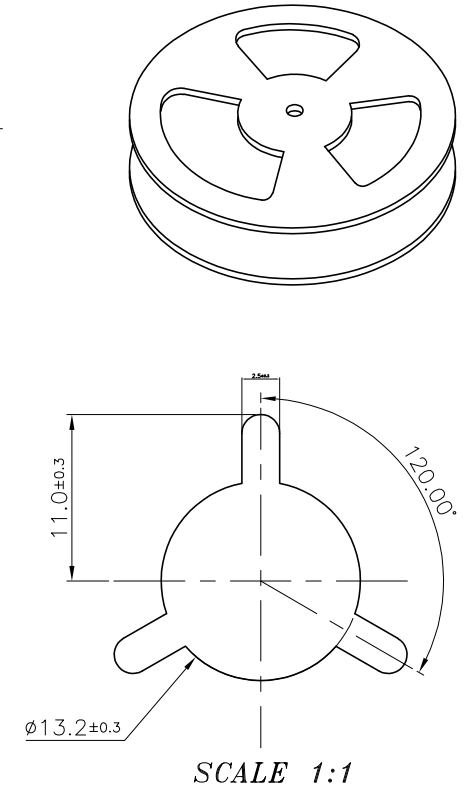
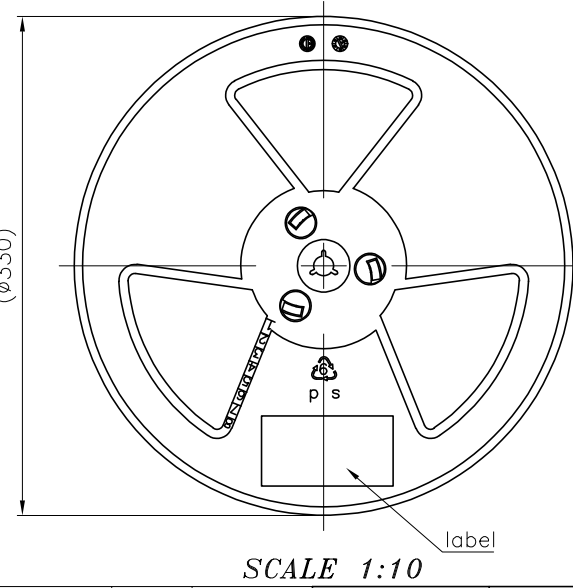
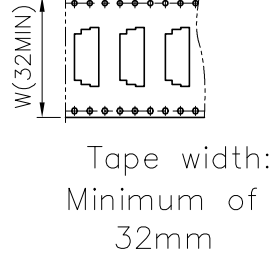
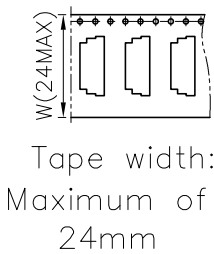
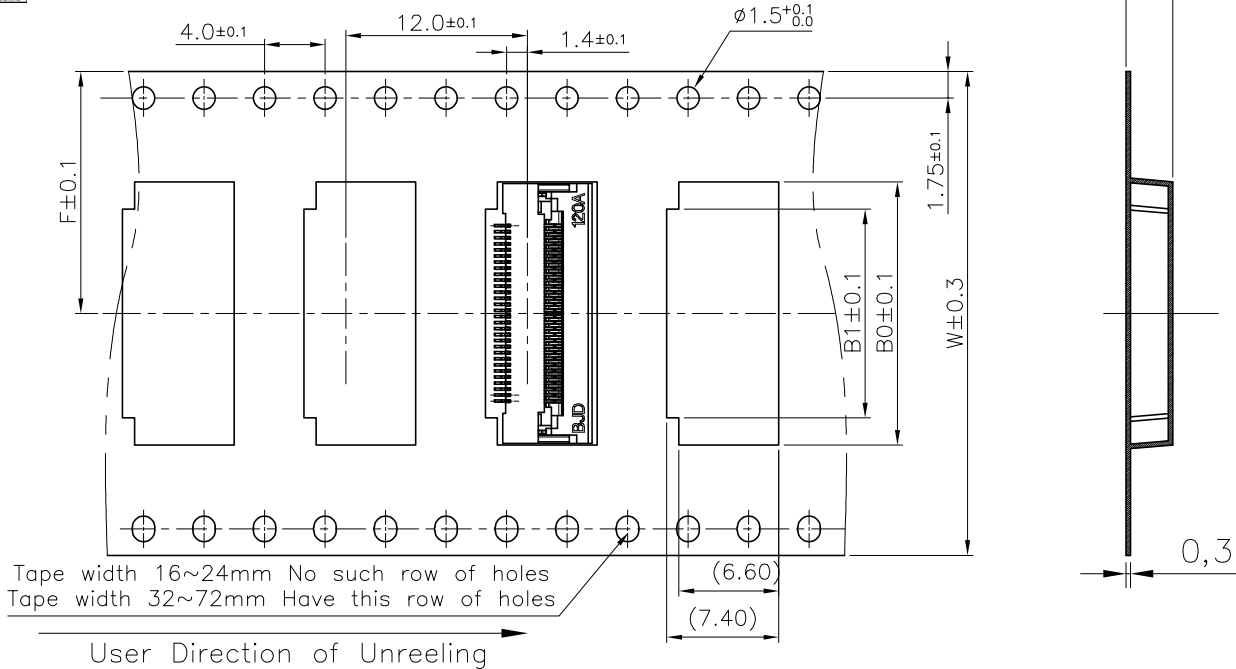


No. of Pin	DIM=A	DIM=B	DIM=C	Part number
120	47.60	53.20	51.70	101110-200250-HF
110	43.60	49.20	47.70	101110-200150-HF
100	39.60	45.20	43.70	101110-200050-HF
90	35.60	41.20	39.70	101110-209050-HF
80	31.60	37.20	35.70	101110-208050-HF
70	27.60	33.20	31.70	101110-207050-HF



				UNLESS OTHERWISE SPECIFIED TOLERANCES ARE		客户图 Drawings		北极大电子科技有限公司 BEI IDA ELECTRONICS TECHNOLOGY CO. LIMITED		
				X.		APPROVED	DATE	COMPUTER NO		
				X.X	±0.20	chentianshu	2023-08-31	101110-20XX50-HF		
				X.XX	±0.10	CHECKED	DATE	NAME		
				X.XXX		chentianshu	2023-08-31	FPC0.4-5 Connector H2.5		
				ANG.	±0'30'	DRAWN	DATE	SIZE	SCALE	REV
SER	REVISIONS	CHK	DATE	UNIT	MM	chen	2023-08-31	A4	8:1	X1

No. of Pin	B0	B1	F	W	Part number	quantity per reel
120	53.40	49.80	36.00	72.00	101110-20X50-HF	1500PCS/volume



PART NO. SPECIFICATION: 101110-20XX50-HF

↓

Number of positions

					UNLESS OTHERWISE SPECIFIED TOLERANCES ARE
					X.                    ±0.20
					X.X                ±0.10
					X.XX              ±0.05
					X.XXX             ±0.02
					ANG.               ±0°30'
					UNIT
SER	REVISIONS	CHK	DATE	MM	⊕

包装图		北极大电子科技有限公司		
Packaging Figure		BEI IDA ELECTRONICS TECHNOLOGY CO. LIMITED		
APPROVED	DATE	COMPUTER NO		
chentianshu	2023-08-31	101110-20XX50-HF		
CHECKED	DATE	NAME		
chentianshu	2023-08-31	FPC0.4-5 Connector H2.5		
DRAWN	DATE	SIZE	SCALE	REV
chen	2023-08-31	A4	2:1	A