

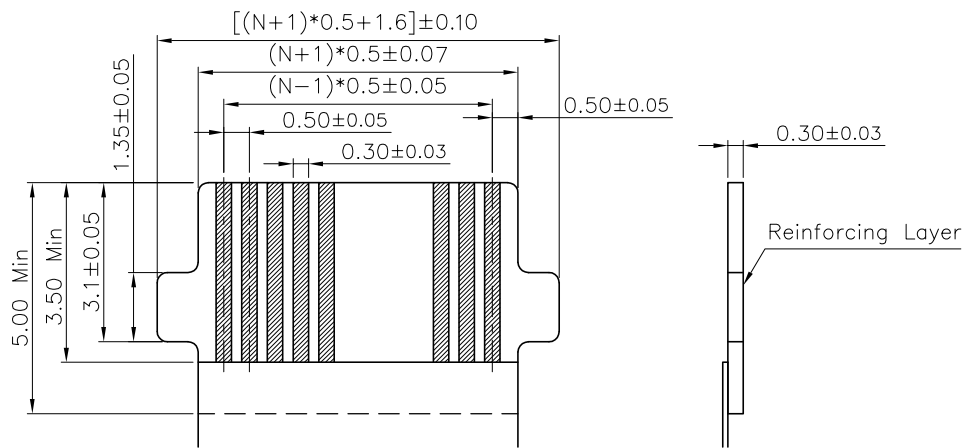
NOTES:
 1.MATERIAL:
 HOUSING:LCP(UL94V-0)
 ACTUATOR:PA-9T(UL94V-0)
 TERMINAL:PHOSPHOR BRONZE MATTE TIN PLATED
 FITTING NAIL:BRASS MATTE TIN PLATED
 2."▼"IMPORTANT DIMENSION
 3.PART NO. SPECIFICATION:101054-X0XXX0

- | | | |
|------|------|------------|
| 1:管装 | PIN数 | 1:雾锡 |
| 2:卷装 | | 2:亮锡 |
| 3:袋装 | | 3:镀金1u' |
| 4:其他 | | 4:镀金2u' |
| | | 5:镀金3u' |
| | | 6:半金锡1u' |
| | | 7:半金锡3u' |
| | | 8:半金锡1.2u' |

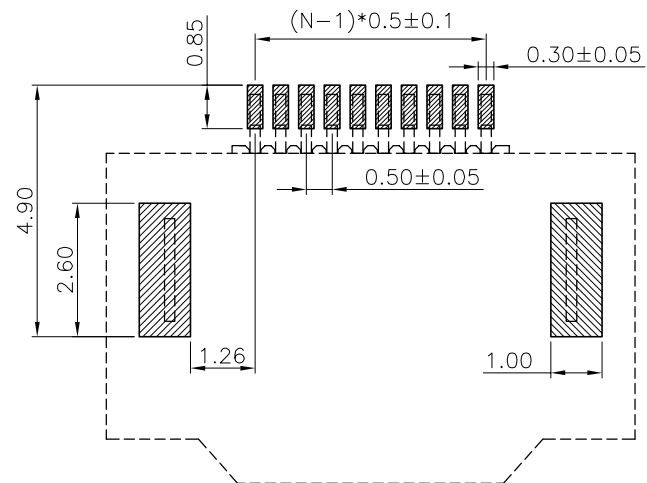
NO. OF PIN	DIMENSION			
	A	B	C	D
4	1.50	7.30	4.83	2.55
5	2.00	7.80	5.33	3.05
6	2.50	8.30	5.83	3.55
7	3.00	8.80	6.33	4.05
8	3.50	9.30	6.83	4.55
9	4.00	9.80	7.33	5.05
10	4.50	10.30	7.83	5.55
11	5.00	10.80	8.33	6.05
12	5.50	11.30	8.83	6.55
13	6.00	11.80	9.33	7.05
14	6.50	12.30	9.83	7.55
15	7.00	12.80	10.33	8.05
16	7.50	13.30	10.83	8.55
17	8.00	13.80	11.33	9.05
18	8.50	14.30	11.83	9.55
19	9.00	14.80	12.33	10.05
20	9.50	15.30	12.83	10.55
21	10.00	15.80	13.33	11.05
22	10.50	16.30	13.83	11.55
23	11.00	16.80	14.33	12.05
24	11.50	17.30	14.83	12.55
25	12.00	17.80	15.33	13.05
26	12.50	18.30	15.83	13.55
27	13.00	18.80	16.33	14.05
28	13.50	19.30	16.83	14.55
29	14.00	19.80	17.33	15.05
30	14.50	20.30	17.83	15.55
31	15.00	20.80	18.33	16.05
32	15.50	21.30	18.83	16.55
33	16.00	21.80	19.33	17.05
34	16.50	22.30	19.83	17.55
35	17.00	22.80	20.33	18.05
36	17.50	23.30	20.83	18.55
37	18.00	23.80	21.33	19.05
38	18.50	24.30	21.83	19.55
39	19.00	24.80	22.33	20.05
40	19.50	25.30	22.83	20.55
41	20.00	25.80	23.33	21.05
42	20.50	26.30	23.83	21.55
43	21.00	26.80	24.33	22.05
44	21.50	27.30	24.83	22.55
45	22.00	27.80	25.33	23.05
46	22.50	28.30	25.83	23.55
47	23.00	28.80	26.33	24.05
48	23.50	29.30	26.83	24.55
49	24.00	29.80	27.33	25.05
50	24.50	30.30	27.83	25.55
51	25.00	30.80	28.33	26.05
52	25.50	31.30	28.83	26.55
53	26.00	31.80	29.33	27.05
54	26.50	32.30	29.83	27.55
55	27.00	32.80	30.33	28.05
56	27.50	33.30	30.83	28.55
57	28.00	33.80	31.33	29.05
58	28.50	34.30	31.83	29.55
59	29.00	34.80	32.33	30.05
60	29.50	35.30	32.83	30.55
61	30.00	35.80	33.33	31.05
62	30.50	36.30	33.83	31.55
63	31.00	36.80	34.33	32.05
64	31.50	37.30	34.83	32.55
65	32.00	37.80	35.33	33.05
66	32.50	38.30	35.83	33.55
67	33.00	38.80	36.33	34.05
68	33.50	39.30	36.83	34.55

				UNLESS OTHERWISE SPECIFIED TOLERANCES ARE
				X.
				X.X ±0.20
				X.XX ±0.10
				X.XXX
				ANG. ±0°30'
SER	REVISIONS	CHK	DATE	UNIT
				MM

客户图 Drawings		北极大电子科技有限公司 BEIJIDA ELECTRONICS TECHNOLOGY CO. LIMITED		
APPROVED	DATE	COMPUTER NO		
		101054-X0XXX0		
CHECKED	DATE	NAME		
陈天舒	2015-09-15	FPC0.5-18D代H2.5掀盖式成品 D type(1/2)		
DRAWN	DATE	SIZE	SCALE	REV
张运兴	2015-09-15	A4	7:1	A



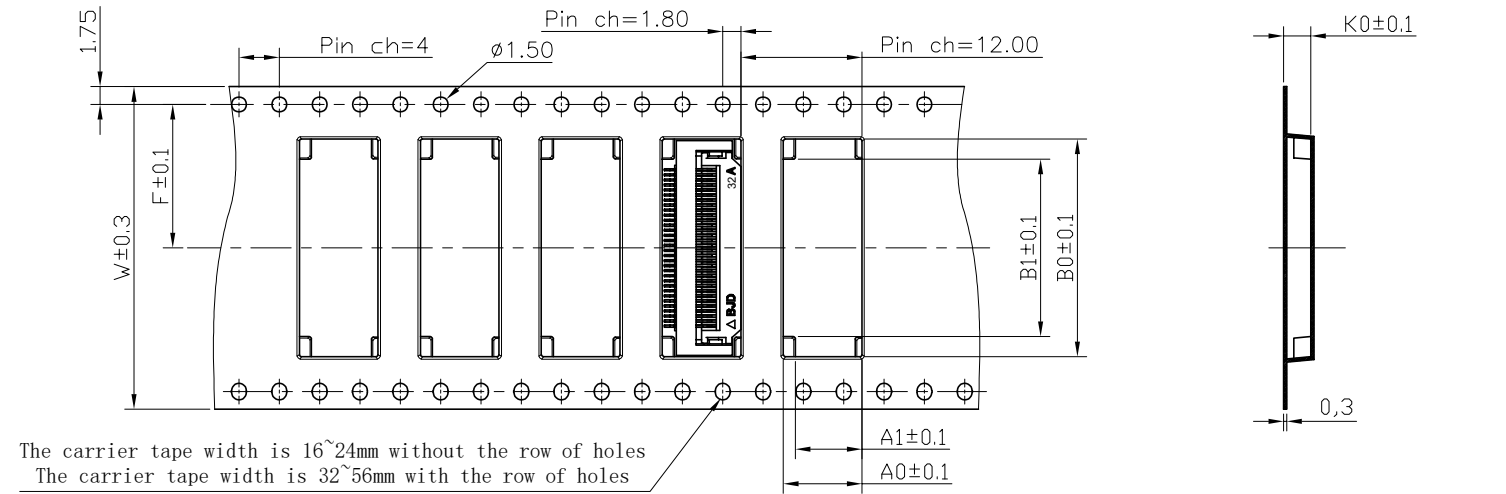
RECOMMENDED FFC/FPC DIMENSION



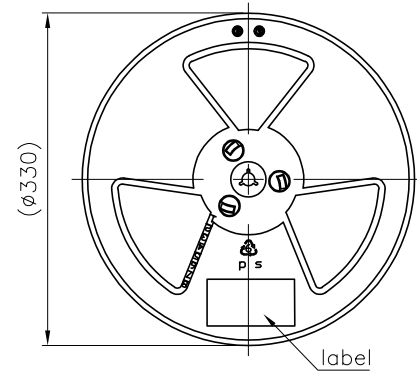
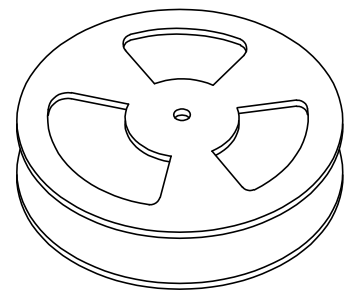
PCB LAYOUT

				UNLESS OTHERWISE SPECIFIED TOLERANCES ARE		客户图		北极大电子科技有限公司		
				X.		Drawings		BEIJIDA ELECTRONICS TECHNOLOGY CO. LIMITED		
				X.X ±0.20		APPROVED		DATE		COMPUTER NO
				X.XX ±0.10		CHECKED		DATE		NAME
				X.XXX		陈天舒		2015-09-15		FPC0.5-18D代H2.5掀盖式成品 D type(1/2)
				ANG. ±0°30'		DRAWN		DATE		SIZE
				UNIT		张运兴		2015-09-15		SCALE
				MM		张运兴		2015-09-15		REV
SER	REVISIONS	CHK	DATE							A

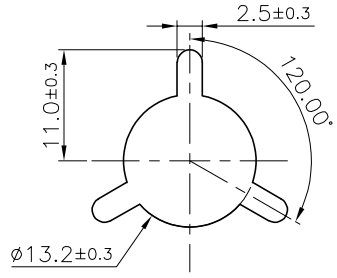
Pin NO	A0	A1	B0	B1	K0	F	W	quantity per reel
4			7.60	3.60		6.25	16	
5			8.10	4.10		6.25	16	
6			8.60	4.60		6.25	16	
7			9.10	5.10		10.25	24	
8			9.60	5.60		10.25	24	
9			10.10	6.10		10.25	24	
10			10.60	6.60		10.25	24	
11			11.10	7.10		10.25	24	
12			11.60	7.60		10.25	24	
13			12.10	8.10		10.25	24	
14			12.60	8.60		10.25	24	
15			13.10	9.10		10.25	24	
16			13.60	9.60		10.25	24	
17			14.10	10.10		10.25	24	
18			14.60	10.60		10.25	24	
19			15.10	11.10		10.25	24	
20			15.60	11.60		10.25	24	
21			16.10	12.10		10.25	24	
22			16.60	12.60		10.25	24	
23			17.10	13.10		14.25	32	
24			17.60	13.60		14.25	32	
25			18.10	14.10		14.25	32	
26			18.60	14.60		14.25	32	
27			19.10	15.10		14.25	32	
28			19.60	15.60		14.25	32	
29			20.10	16.10		14.25	32	
30			20.60	16.60		14.25	32	
31			21.10	17.10		14.25	32	
32			21.60	17.60		14.25	32	
33			22.10	18.10		20.25	44	
34			22.60	18.60		20.25	44	
35			23.10	19.10		20.25	44	
36	7.80	6.60	23.60	19.60	2.70	20.25	44	2000PCS/volume
37			24.10	20.10		20.25	44	
38			24.60	20.60		20.25	44	
39			25.10	21.10		20.25	44	
40			25.60	21.60		20.25	44	
41			26.10	22.10		20.25	44	
42			26.60	22.60		20.25	44	
43			27.10	23.10		20.25	44	
44			27.60	23.60		20.25	44	
45			28.10	24.10		20.25	44	
46			28.60	24.60		20.25	44	
47			29.10	25.10		20.25	44	
48			29.60	25.60		20.25	44	
49			30.10	26.10		20.25	44	
50			30.60	26.60		20.25	44	
51			31.10	27.10		20.25	44	
52			31.60	27.60		20.25	44	
53			32.10	28.10		20.25	44	
54			32.60	28.60		20.25	44	
55			33.10	29.10		20.25	44	
56			33.60	29.60		26.25	56	
57			34.10	30.10		26.25	56	
58			34.60	30.60		26.25	56	
59			35.10	31.10		26.25	56	
60			35.60	31.60		26.25	56	
61			36.10	32.10		26.25	56	
62			36.60	32.60		26.25	56	
63			37.10	33.10		26.25	56	
64			37.60	33.60		26.25	56	
65			38.10	34.10		26.25	56	
66			38.60	34.60		26.25	56	
67			39.10	35.10		26.25	56	
68			39.60	35.60		26.25	56	



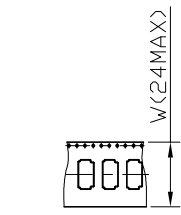
User Direction of Unreeling



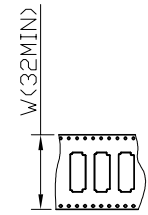
SCALE 1:10



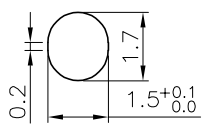
SCALE 1:1



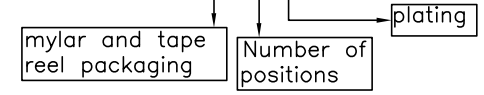
16~24mm carrier tape width diagram



32~56mm carrier tape width diagram



PART NO. SPECIFICATION: 101054-20XX50



				UNLESS OTHERWISE SPECIFIED TOLERANCES ARE		客户图 Drawings		北极大电子科技有限公司 BEIJIDA ELECTRONICS TECHNOLOGY CO. LIMITED			
				X. ±0.20		APPROVED DATE		COMPUTER NO			
				X.X ±0.10		chentianshu 2014-12-15		101054-20XX50			
				X.XXX		CHECKED DATE		NAME			
				ANG. ±0°30'		chentianshu 2014-12-15		FPC0.5-18D Packaging Figure			
				UNIT		DRAWN DATE		SIZE		SCALE	REV
SER				REVISIONS		chen 2014-12-15		A4		4:3	A
				CHK		DATE					
				MM							