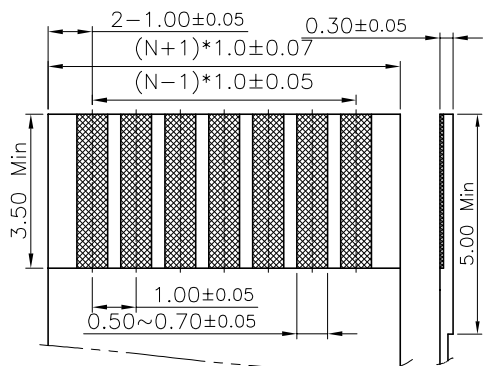
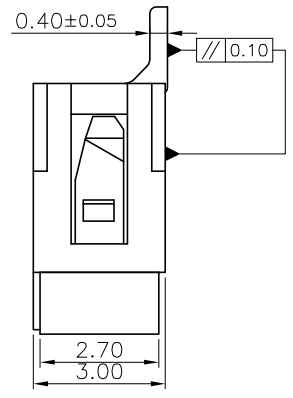
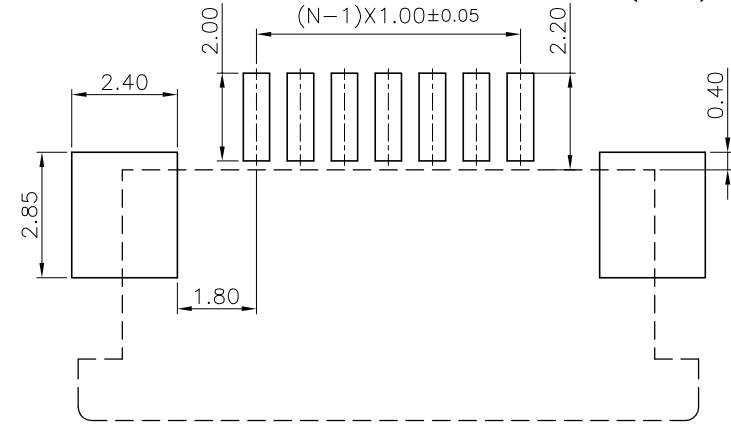


SECTION A-A



F.P.C DIMENSION (REF.)



P.C.B DIMENSION (REF.)

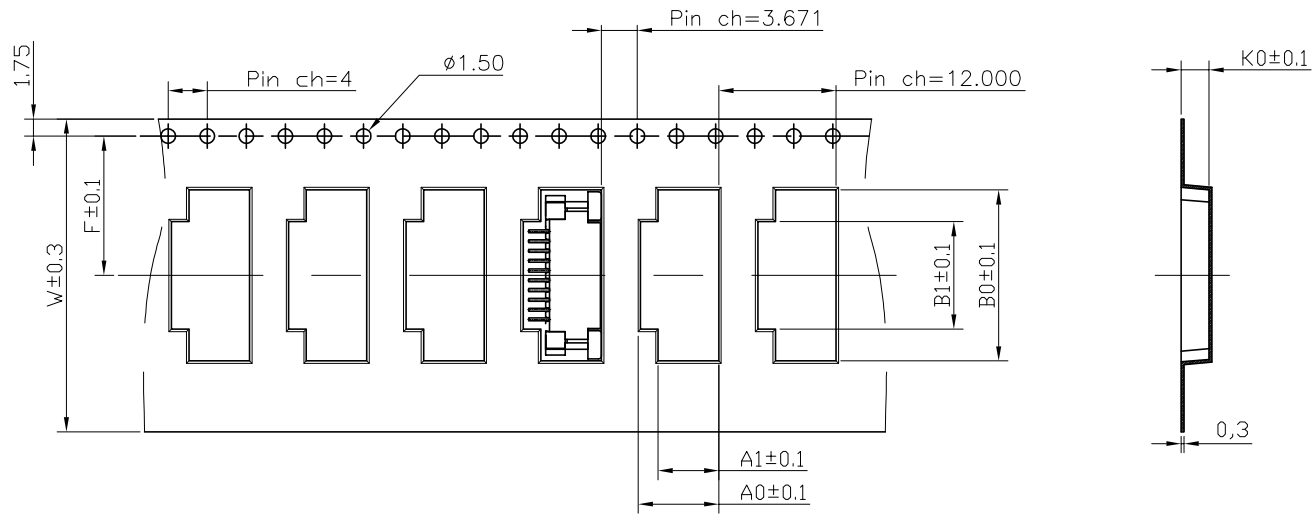
Pin Number	DIM=A	DIM=B	DIM=C	DIM=D
4	3.00	5.05	10.40	11.10
5	4.00	6.05	11.40	12.10
6	5.00	7.05	12.40	13.10
7	6.00	8.05	13.40	14.10
8	7.00	9.05	14.40	15.10
9	8.00	10.05	15.40	16.10
10	9.00	11.05	16.40	17.10
11	10.00	12.05	17.40	18.10
12	11.00	13.05	18.40	19.10
13	12.00	14.05	19.40	20.10
14	13.00	15.05	20.40	21.10
15	14.00	16.05	21.40	22.10
16	15.00	17.05	22.40	23.10
17	16.00	18.05	23.40	24.10
18	17.00	19.05	24.40	25.10
19	18.00	20.05	25.40	26.10
20	19.00	21.05	26.40	27.10
21	20.00	22.05	27.40	28.10
22	21.00	23.05	28.40	29.10
23	22.00	24.05	29.40	30.10
24	23.00	25.05	30.40	31.10
25	24.00	26.05	31.40	32.10
26	25.00	27.05	32.40	33.10
27	26.00	28.05	33.40	34.10
28	27.00	29.05	34.40	35.10
29	28.00	30.05	35.40	36.10
30	29.00	31.05	36.40	37.10
31	30.00	32.05	37.40	38.10
32	31.00	33.05	38.40	39.10
33	32.00	34.05	39.40	40.10
34	33.00	35.05	40.40	41.10
35	34.00	36.05	41.40	42.10
36	35.00	37.05	42.40	43.10
37	36.00	38.05	43.40	44.10
38	37.00	39.05	44.40	45.10
39	38.00	40.05	45.40	46.10
40	39.00	41.05	46.40	47.10

- Notes: \triangle
- Housing material: PA-6T (UL94V-0).
 - Actuator material: PPS (UL94V-0).
 - Terminal material: phosphor bronze.
The overall 50u"~100u" Nickel Plated (lead-free).
Welding pin and contact point gold plated 3u" min (Pb free).
 - Fitting nail material: brass.
The overall 50u"~100u" Nickel Plated (lead-free).
Plated with matte Tin(100%) 80u"~150u" (lead-free).
 - " " Important dimensions.
 - PART NO. Specifications: 101013-20XX50

Number of positions

				UNLESS OTHERWISE SPECIFIED TOLERANCES ARE		客户图		北极大电子科技有限公司		
						Drawings		BEIJIDA ELECTRONICS TECHNOLOGY CO. LIMITED		
				X.		APPROVED	DATE	COMPUTER NO		
				X.X	±0.1			101013-20XX50		
				X.XX	±0.05	CHECKED	DATE	NAME		
\triangle	Add description	chen	2017-12-04	X.XXX		chentianshu	2017-12-04	FPC1.0-1 H3.0 Connector Upper Contact Side.		
	New drawings released	chen	2014-11-15	ANG.	±0°30'	DRAWN	DATE	SIZE	SCALE	REV
SER	REVISIONS	CHK	DATE	MM	\oplus	chen	2017-12-04	A4	6:1	B

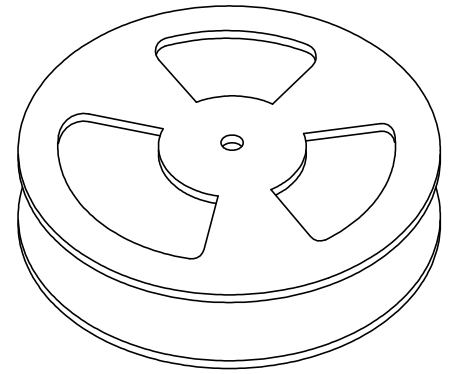
Pin NO	A0	A1	B0	B1	K0	F	W	Quantity per reel
4			11.50	5.00		10.25	24	1500PCS /Volume
5			12.50	6.00		10.25	24	
6			13.50	7.00		10.25	24	
7			14.50	8.00		10.25	24	
8			15.50	9.00		10.25	24	
9			16.50	10.00		10.25	24	
10			17.50	11.00		14.25	32	
11			18.50	12.00		14.25	32	
12			19.50	13.00		14.25	32	
13			20.50	14.00		14.25	32	
14			21.50	15.00		20.25	44	
15			22.50	16.00		20.25	44	
16			23.50	17.00		20.25	44	
17			24.50	18.00		20.25	44	
18			25.50	19.00		20.25	44	
19			26.50	20.00		20.25	44	
20			27.50	21.00		20.25	44	
21			28.50	22.00		20.25	44	
22	8.00	6.20	29.50	23.00	3.30	20.25	44	
23			30.50	24.00		20.25	44	
24			31.50	25.00		20.25	44	
25			32.50	26.00		20.25	44	
26			33.50	27.00		20.25	44	
27			34.50	28.00		26.25	56	
28			35.50	29.00		26.25	56	
29			36.50	30.00		26.25	56	
30			37.50	31.00		26.25	56	
31			38.50	32.00		26.25	56	
32			39.50	33.00		26.25	56	
33			40.50	34.00		26.25	56	
34			41.50	35.00		26.25	56	
35			42.50	36.00		26.25	56	
36			43.50	37.00		26.25	56	
37			44.50	38.00		26.25	56	
38			45.50	39.00		26.25	56	
39			46.50	40.00		26.25	56	
40			47.50	41.00		34.25	72	



→ User Direction of Unreeling

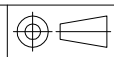
PART NO. SPECIFICATION: 101013-20XX50

Number of positions



SER	REVISIONS	CHK	DATE	UNIT
				MM

UNLESS OTHERWISE SPECIFIED TOLERANCES ARE
 X. ±0.1
 X.X ±0.05
 X.XXX
 ANG. ±0°30'



包装图 Packaging Figure		北极大电子科技有限公司 BEIJIDA ELECTRONICS TECHNOLOGY CO. LIMITED		
APPROVED	DATE	COMPUTER NO 101013-20XX50		
CHECKED chen tian shu	DATE 2017-12-04	NAME FPC1.0-1 H3.0 Packaging Figure		
DRAWN zhang yun xing	DATE 2017-12-04	SIZE A4	SCALE 3:4	REV B