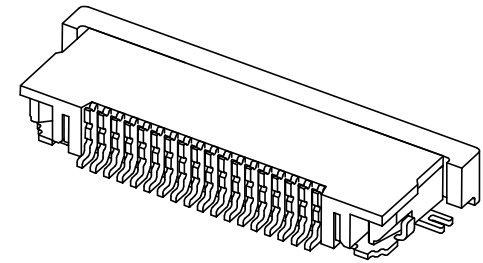
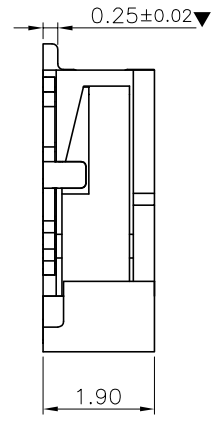
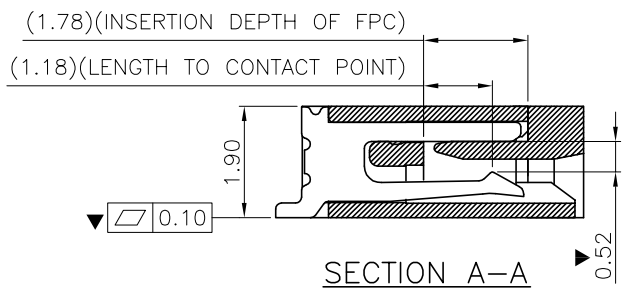


NOTES:
 1. MATERIAL:
 HOUSING: THERMOPLASTIC (UL94V-0)
 ACTUATOR: THERMOPLASTIC (UL94V-0)
 TERMINAL: PHOSPHOR BRONZE MATTE TIN PLATED
 FITTING NAIL: BRASS MATTE TIN PLATED
 2. "▼" IMPORTANT DIMENSION
 3. PART NO. SPECIFICATION: 101028-X0XXX0

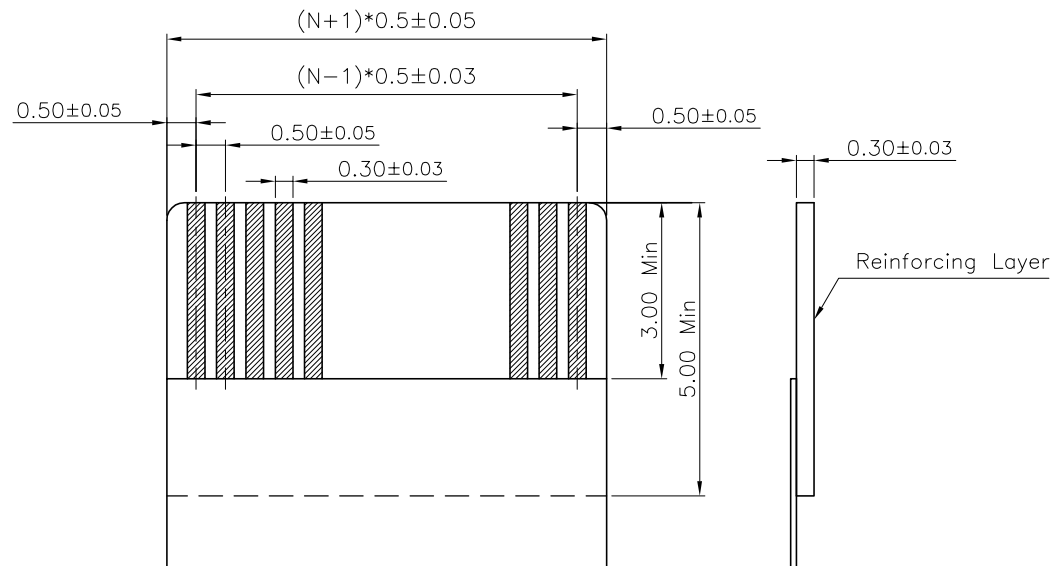
- PIN数
- 1: 管装
 - 2: 卷装
 - 3: 袋装
 - 4: 其他
 - 1: 雾锡
 - 2: 亮锡
 - 3: 镀金 1u'
 - 5: 镀金 3u'
 - 6: 半金锡



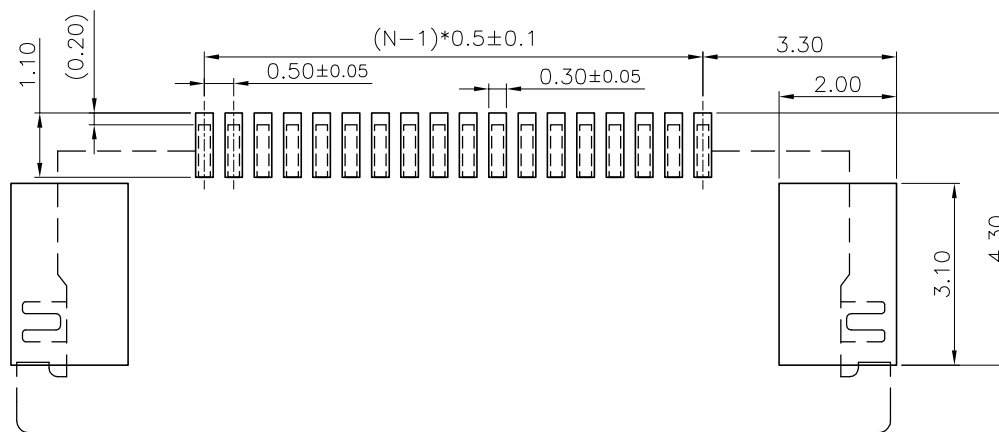
DIMENSION			
NO. OF PIN	A	B	C
4	1.50	7.90	2.58
5	2.00	8.40	3.08
6	2.50	8.90	3.58
7	3.00	9.40	4.08
8	3.50	9.90	4.58
9	4.00	10.40	5.08
10	4.50	10.90	5.58
11	5.00	11.40	6.08
12	5.50	11.90	6.58
13	6.00	12.40	7.08
14	6.50	12.90	7.58
15	7.00	13.40	8.08
16	7.50	13.90	8.58
17	8.00	14.40	9.08
18	8.50	14.90	9.58
19	9.00	15.40	10.08
20	9.50	15.90	10.58
21	10.00	16.40	11.08
22	10.50	16.90	11.58
23	11.00	17.40	12.08
24	11.50	17.90	12.58
25	12.00	18.40	13.08
26	12.50	18.90	13.58
27	13.00	19.40	14.08
28	13.50	19.90	14.58
29	14.00	20.40	15.08
30	14.50	20.90	15.58
31	15.00	21.40	16.08
32	15.50	21.90	16.58
33	16.00	22.40	17.08
34	16.50	22.90	17.58
35	17.00	23.40	18.08
36	17.50	23.90	18.58
37	18.00	24.40	19.08
38	18.50	24.90	19.58
39	19.00	25.40	20.08
40	19.50	25.90	20.58



				UNLESS OTHERWISE SPECIFIED TOLERANCES ARE		客户图 Drawings		北极大电子科技有限公司 BEIJIDA ELECTRONICS TECHNOLOGY CO. LIMITED		
				X.		APPROVED	DATE	COMPUTER NO		
				X.X	± 0.20			101028-X0XXX0		
				X.XX	± 0.10	CHECKED	DATE	NAME		
				X.XXX		陈天舒	2012-05-26	FPC0.5-9代H2.0拉拔式成品(1/2)		
				ANG.	$\pm 0^{\circ}30'$	DRAWN	DATE	SIZE	SCALE	REV
△	设计变更	张运兴	2013-04-11	UNIT	MM	张运兴	2012-05-26	A4	8:1	B
SER	REVISIONS	CHK	DATE							



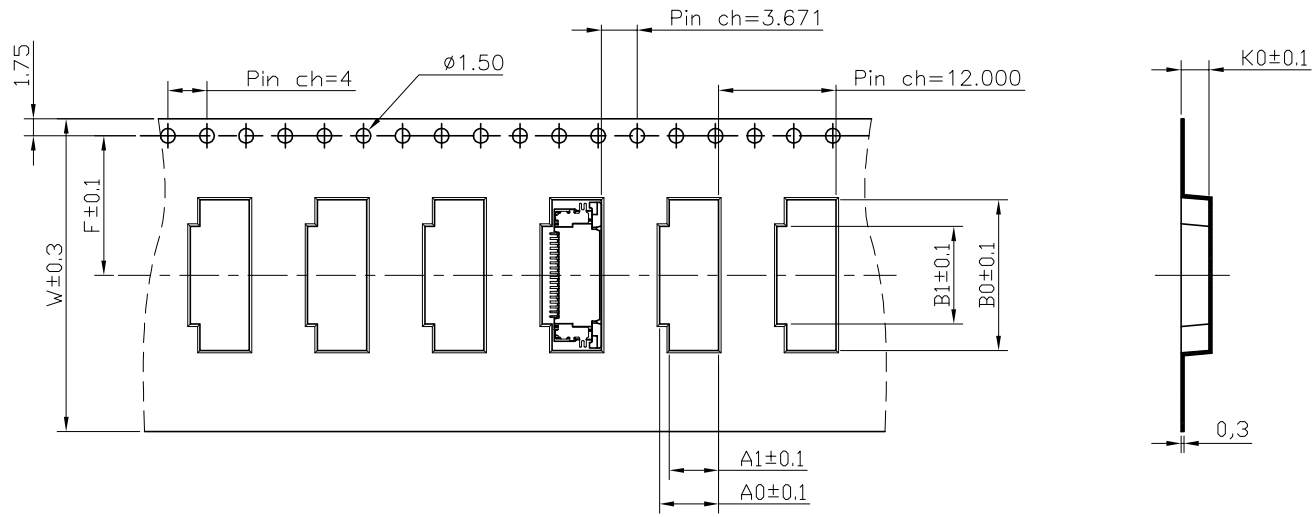
RECOMMENDED FFC/FPC DIMENSION



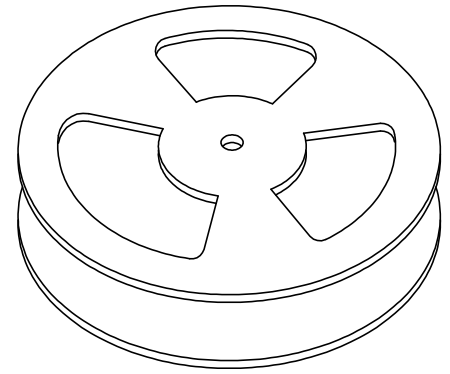
PCB LAYOUT

				UNLESS OTHERWISE SPECIFIED TOLERANCES ARE		客户图		北极大电子科技有限公司		
						Drawings		BEIJIDA ELECTRONICS TECHNOLOGY CO. LIMITED		
				X.		APPROVED		DATE		COMPUTER NO
				X.X ±0.20						101028-X0XXX0
				X.XX ±0.10		CHECKED		DATE		NAME
				X.XXX		陈天舒		2012-05-26		FPC0.5-9代H2.0拉拔式成品(2/2)
				ANG. ±0°30'		DRAWN		DATE		SIZE
						张运兴		2012-05-26		SCALE
△		设计变更	张运兴	2013-04-11	UNIT	MM				REV
SER	REVISIONS	CHK	DATE						A4	8:1
									B	

Pin数	A0	A1	B0	B1	K0	F	W	卷数量
4			8.40	3.0C		10.25	24	
5			8.90	3.5C		10.25	24	
6			9.40	4.0C		10.25	24	
7			9.90	4.5C		10.25	24	
8			10.40	5.0C		10.25	24	
9			10.90	5.5C		10.25	24	
10			11.40	6.0C		10.25	24	
11			11.90	6.5C		10.25	24	
12			12.40	7.0C		10.25	24	
13			12.90	7.5C		10.25	24	
14			13.40	8.0C		10.25	24	
15			13.90	8.5C		14.25	32	
16			14.40	9.0C		14.25	32	
17			14.90	9.5C		14.25	32	
18			15.40	10.00		14.25	32	
19			15.90	10.50		14.25	32	
20			16.40	11.00		14.25	32	
21			16.90	11.50		14.25	32	
22			17.40	12.00		14.25	32	
23			17.90	12.50		14.25	32	
24			18.40	13.00		14.25	32	
25			18.90	13.50		20.25	44	
26			19.40	14.00		20.25	44	
27			19.90	14.50		20.25	44	
28			20.40	15.00		20.25	44	
29			20.90	15.50		20.25	44	
30			21.40	16.00		20.25	44	
31	6.05	5.05	21.90	16.50	2.20	20.25	44	3000PCS /卷
32			22.40	17.00		20.25	44	
33			22.90	17.50		20.25	44	
34			23.40	18.00		20.25	44	
35			23.90	18.50		20.25	44	
36			24.40	19.00		20.25	44	
37			24.90	19.50		20.25	44	
38			25.40	20.00		20.25	44	
39			25.90	20.50		20.25	44	
40			26.40	21.00		20.25	44	
41			26.90	21.50		20.25	44	
42			27.40	22.00		20.25	44	
43			27.90	22.50		20.25	44	
44			28.40	23.00		20.25	44	
45			28.90	23.50		20.25	44	
46			29.40	24.00		20.25	44	
47			29.90	24.50		20.25	44	
48			30.40	25.00		20.25	44	
49			30.90	25.50		20.25	44	
50			31.40	26.00		20.25	44	
51			31.90	26.50		26.25	56	
52			32.40	27.00		26.25	56	
53			32.90	27.50		26.25	56	
54			33.40	28.00		26.25	56	
55			33.90	28.50		26.25	56	
56			34.40	29.00		26.25	56	
57			34.90	29.50		26.25	56	
58			35.40	30.00		26.25	56	
59			35.90	30.50		26.25	56	
60			36.40	31.00		26.25	56	



→ User Direction of Unreeling



PART NO. SPECIFICATION: 101028-20XXX0

- 1:管装
 - 2:卷装
 - 3:袋装
 - 4:其他
- PIN数
- 1:雾锡
 - 2:亮锡
 - 3:镀金1u'
 - 5:镀金3u'
 - 6:半金锡

				UNLESS OTHERWISE SPECIFIED TOLERANCES ARE		包装图		北极大电子科技有限公司				
				X. ±0.1		Package Figure		BEIJIDA ELECTRONICS TECHNOLOGY CO. LIMITED				
				X.XX ±0.05		APPROVED		DATE		COMPUTER NO		
				X.XXX		CHECKED		DATE		NAME		
				ANG. ±0°30'		陈天舒		2012-01-09		FPC0.5-9代H2.0拉拔式卷装图		
				UNIT		DRAWN		DATE		SIZE	SCALE	REV
SER	REVISIONS			CHK	DATE	MM	张运兴	2012-01-09		A4	3:4	A