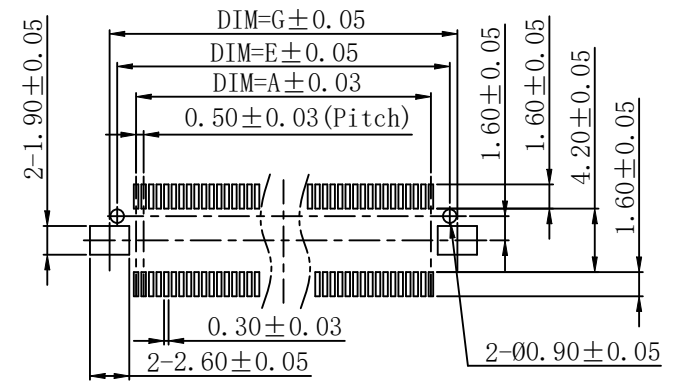
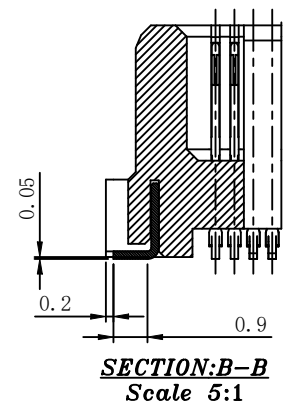
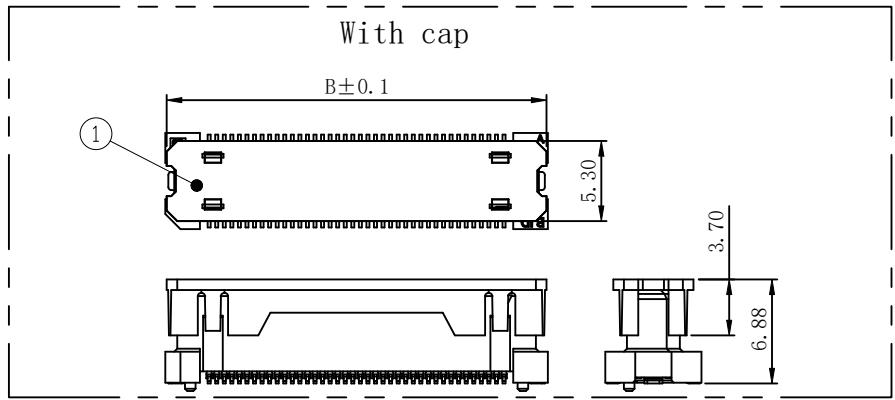
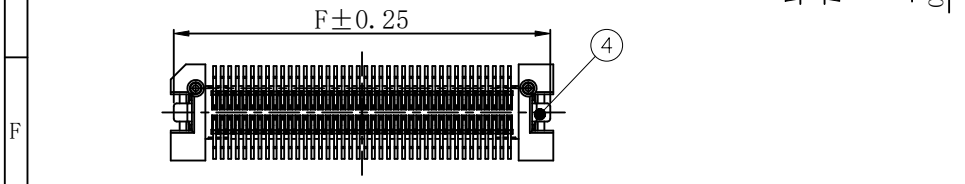
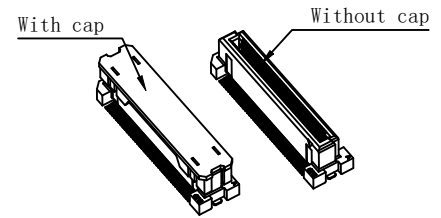
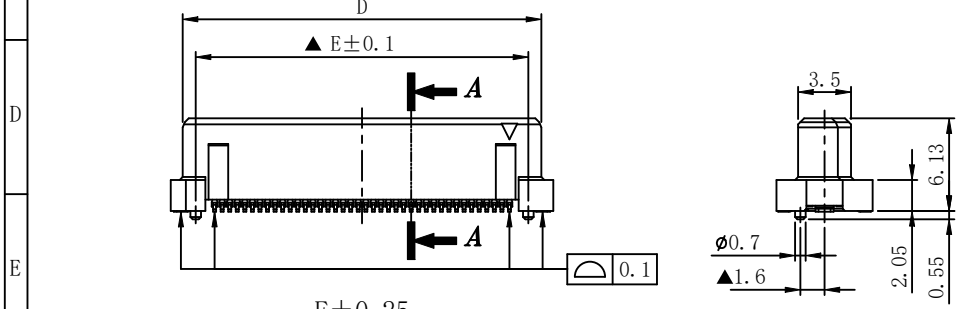


No. OF POSITION	A	B	C	D	E	F	G
30	7.00	12.62	12.80	11.22	9.50	12.40	10.50
40	9.50	15.12	15.30	13.72	12.00	14.90	13.00
50	12.00	17.62	17.80	16.22	14.50	17.40	15.50
60	14.50	20.12	20.30	18.72	17.00	19.90	18.00
70	17.00	22.62	22.80	21.22	19.50	22.40	20.50
80	19.50	25.12	25.30	23.72	22.00	24.90	23.00
90	22.00	27.62	27.80	26.22	24.50	27.40	25.50
100	24.50	30.12	30.30	28.72	27.00	29.90	28.00
110	27.00	32.62	32.80	31.22	29.50	32.40	30.50
120	29.50	35.12	35.30	33.72	32.00	34.90	33.00
130	32.00	37.62	37.80	36.22	34.50	37.40	35.50
140	34.50	40.12	40.30	38.72	37.00	39.90	38.00

NOTES:
 1. "▲" means Important dimensions.
 2. Part number: 123031-60XX50-HF

XX: Number of contacts
 5: Mylar tape & reel package
 6: Cap & reel package



NO.	Part name	Quantity	Material	Finish
4	Hook	2	Copper alloy	Under 50-100u"Ni, Matte Tin 80-150u"over Ni
3	Contact	No. of contacts	Copper alloy	Under 60-200u"Ni, Contact area 4u"Au Min, Tail area:2-8u"Au
2	Housing	1	LCP UL94V-0, Black	N/A
1	Cap	1	LCP UL94V-0, White	N/A

			UNLESS OTHERWISE SPECIFIED TOLERANCES ARE	客户图 Drawings	北极大电子科技有限公司 BEIJIDA ELECTRONICS TECHNOLOGY CO. LIMITED					
			X. ±0.20	APPROVED	DATE	COMPUTER NO				
			X.X ±0.10	TS.CHEN	2021-05-20	123031-60XX50-HF				
			X.XXX	CHECKED	DATE	NAME				
			ANG. ±0'30'	QF.DONG	2021-05-20	BT80.5-6B FLOATING REC (WITH BOSS) ASSEMBLY				
RELEASE NEW DRAWING			Kuan He	2021-08-19	UNIT	DRAWN	DATE	SIZE	SCALE	REV
SER	REVISIONS	CHK	DATE	MM	Yasuhiro Ono	2021-02-16	A4	2:1	A	