

NOTES:
 VOLTAGE RATING: 32V AC/DC MAX.
 CURRENT RATING: 3A AC/DC(HIGHER CURRENT RATING ACHIEVABLE,CONTACT SALES FOR ADDITIONAL TECHNICAL INFORMATION)
 WITHSTANDING VOLTAGE: 1000V AC/MINUTE
 TEMPERATURE RANGE: -40°C ~+130°C
 INSULATION RESISTANCE: ≥1000MΩ
 CONTACT RESISTANCE: ≤10mΩ
 AFTER ENVIRONMENTAL TESTING: ≤15mΩ
 APPLICABLE WIRES:0.22MM²~0.38MM²(24 AWG~22 AWG)

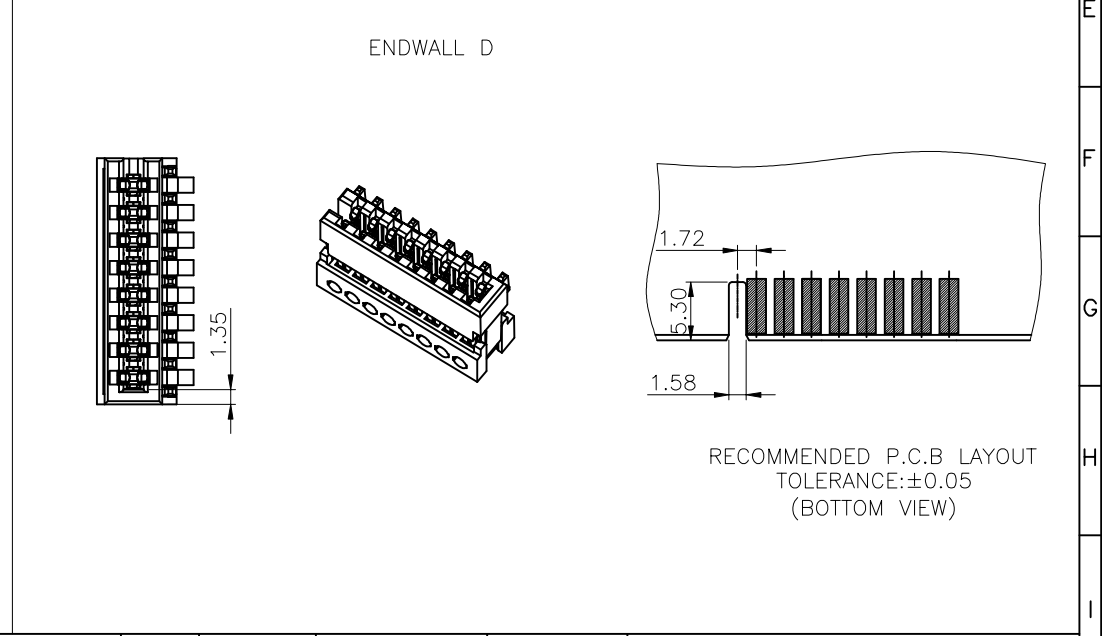
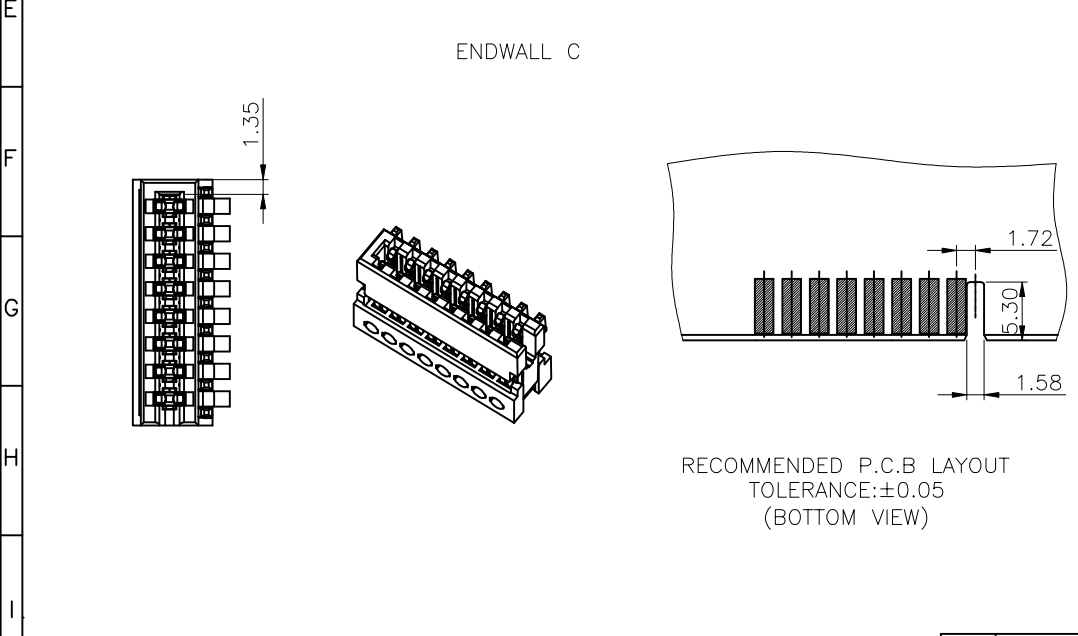
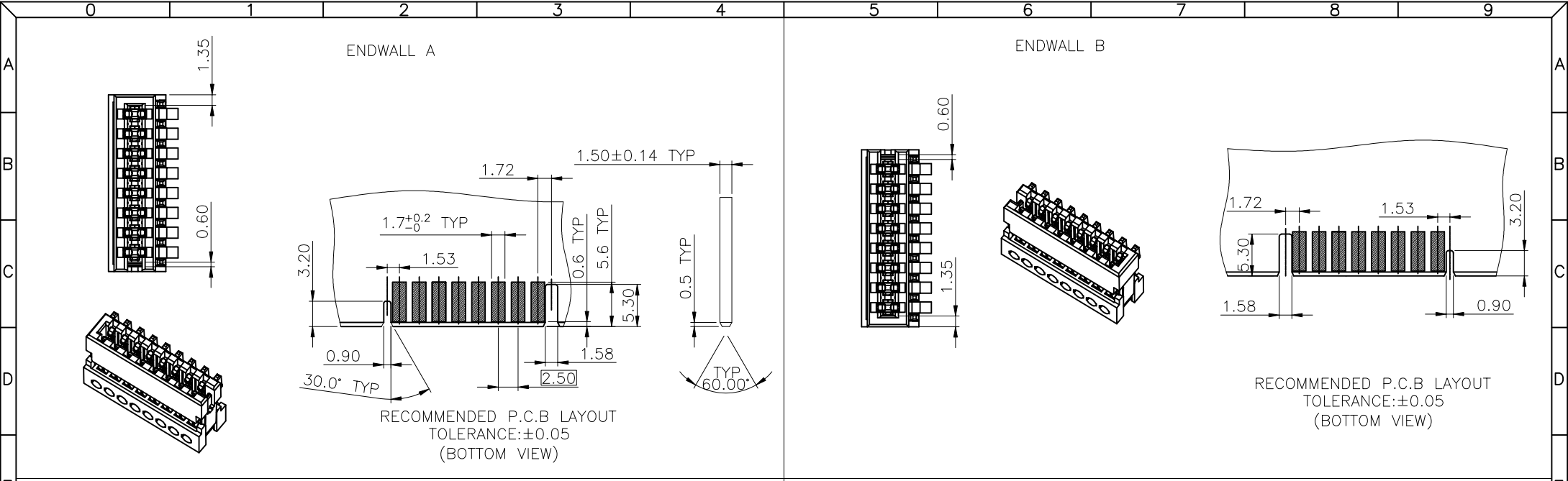
PIN NO.	A	B
2	2.50	7.375
3	5.00	9.875
4	7.50	12.375
5	10.00	14.875
6	12.50	17.375
7	15.00	19.875
8	17.50	22.375
9	20.00	24.875
10	22.50	27.375
11	25.00	29.875
12	27.50	32.375
13	30.00	34.875
14	32.50	37.375
15	35.00	39.875
16	37.50	42.375
17	40.00	44.875
18	42.50	47.375
19	45.00	49.875
20	47.50	52.375

②	CONTACT PIN	N	PHOSPHOR BRONZE	TIN PLATED OVER ALL
①	HOUSING	1	PA6 COLOR:NATURAL(WHITE)	
ITEM	PART NAME	Q'TY	MATERIAL	FINISH

X1	NEW PRODUCT SPECIFICATIONS	JAY	2022-03-10		
X0	INITIAL REVISION	JAY			
SER	REVISIONS	CHK	DATE		

UNLESS OTHERWISE SPECIFIED TOLERANCES ARE	
X.	
X.X	±0.30
X.XX	±0.20
X.XXX	
ANG.	±2'

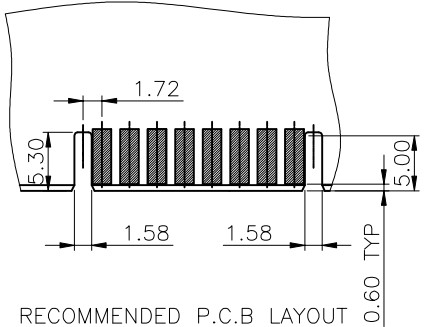
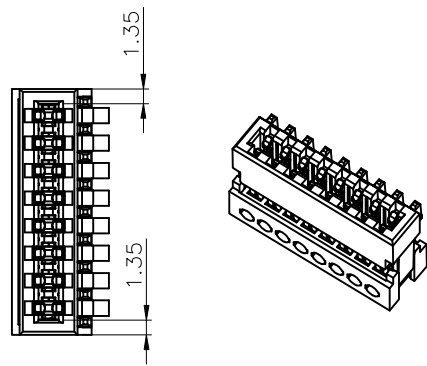
客户图 Drawings		北极大电子科技有限公司 BEIJIDA ELECTRONICS TECHNOLOGY CO. LIMITED			
APPROVED Jay	DATE 2021-08-21	PART NO 14106X-XXXXXXX			
CHECKED Jay	DATE 2021-08-21	NAME 2.50MM IDC FEMALE CONNECTOR			
DRAWN Bob	DATE 2021-08-21	SIZE A4	SCALE 1.5:1	SHEET 1/6	REV X1



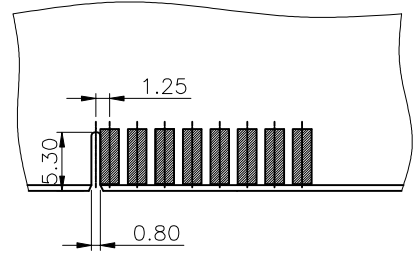
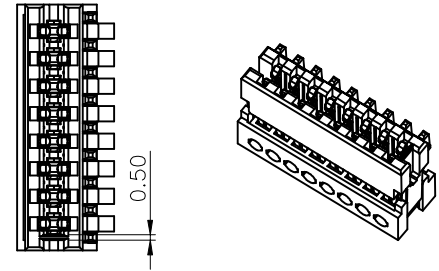
				UNLESS OTHERWISE SPECIFIED TOLERANCES ARE	客户图 Drawings		北极大电子科技有限公司 BEIJIDA ELECTRONICS TECHNOLOGY CO. LIMITED			
				X.	APPROVED	DATE	PART NO			
				X.X ±0.30	Jay	2021-08-21	14106X-XXXXXXX			
				X.XX ±0.20	CHECKED	DATE	NAME			
				X.XXX	Jay	2021-08-21	2.50MM IDC FEMALE CONNECTOR			
				ANG. ±2'	DRAWN	DATE	SIZE	SCALE	SHEET	REV
X1	NEW PRODUCT SPECIFICATIONS	JAY	2022-03-10	UNIT	Bob	2021-08-21	A4	1.5:1	2/6	X1
X0	INITIAL REVISION	JAY		MM						
SER	REVISIONS	CHK	DATE							

ENDWALL E

ENDWALL F



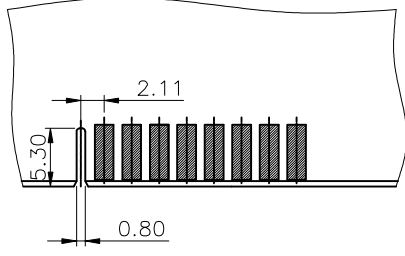
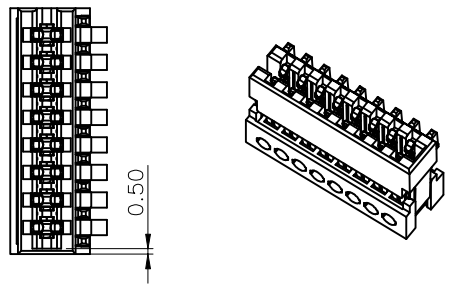
RECOMMENDED P.C.B LAYOUT
TOLERANCE: ±0.05
(BOTTOM VIEW)



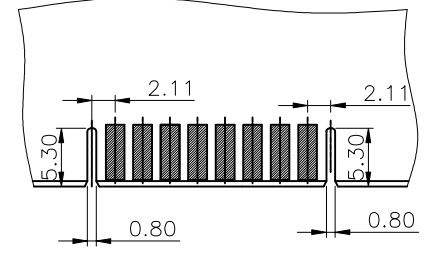
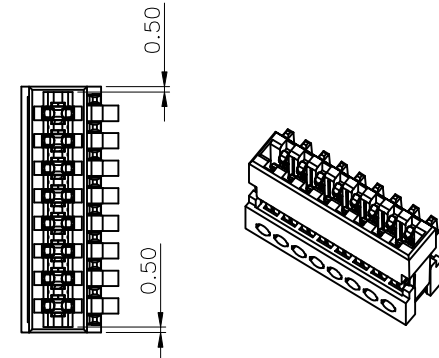
RECOMMENDED P.C.B LAYOUT
TOLERANCE: ±0.05
(BOTTOM VIEW)

ENDWALL G

ENDWALL H



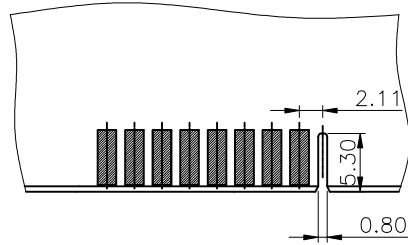
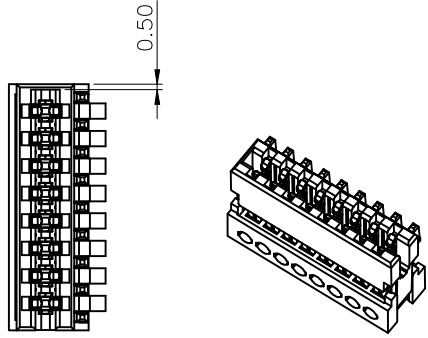
RECOMMENDED P.C.B LAYOUT
TOLERANCE: ±0.05
(BOTTOM VIEW)



RECOMMENDED P.C.B LAYOUT
TOLERANCE: ±0.05
(BOTTOM VIEW)

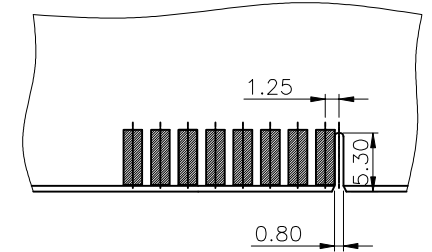
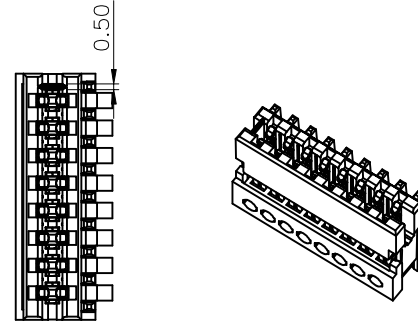
				UNLESS OTHERWISE SPECIFIED TOLERANCES ARE	客户图 Drawings		北极大电子科技有限公司 BEIJIDA ELECTRONICS TECHNOLOGY CO. LIMITED			
				X.	APPROVED	DATE	PART NO			
				X.X ±0.30	Jay	2021-08-21	14106X-XXXXXXX			
				X.XX ±0.20	CHECKED	DATE	NAME			
X1	NEW PRODUCT SPECIFICATIONS	JAY	2022-03-10	X.XXX	Jay	2021-08-21	2.50MM IDC FEMALE CONNECTOR			
X0	INITIAL REVISION	JAY		ANG. ±2'	DRAWN	DATE	SIZE	SCALE	SHEET	REV
SER	REVISIONS	CHK	DATE	MM	Bob	2021-08-21	A4	1.5:1	3/6	X1

ENDWALL J



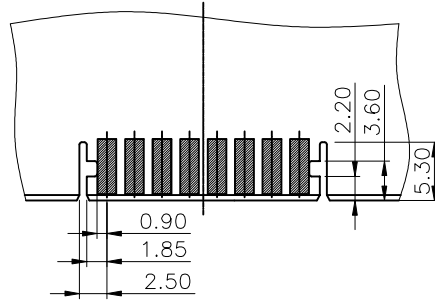
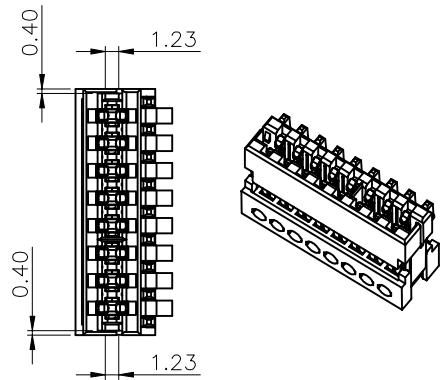
RECOMMENDED P.C.B LAYOUT
TOLERANCE:±0.05
(BOTTOM VIEW)

ENDWALL K



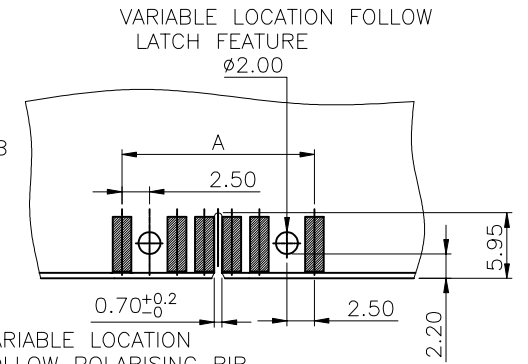
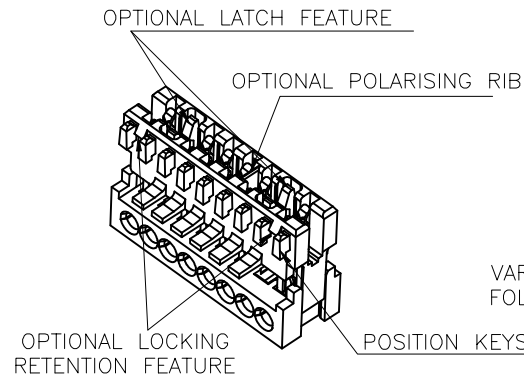
RECOMMENDED P.C.B LAYOUT
TOLERANCE:±0.05
(BOTTOM VIEW)

ENDWALL L



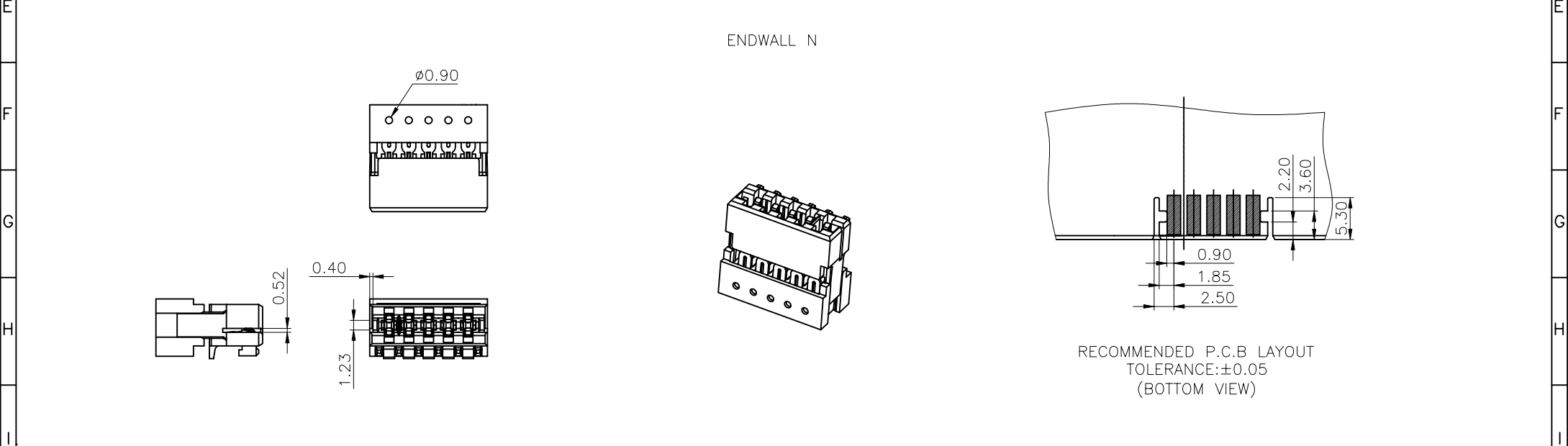
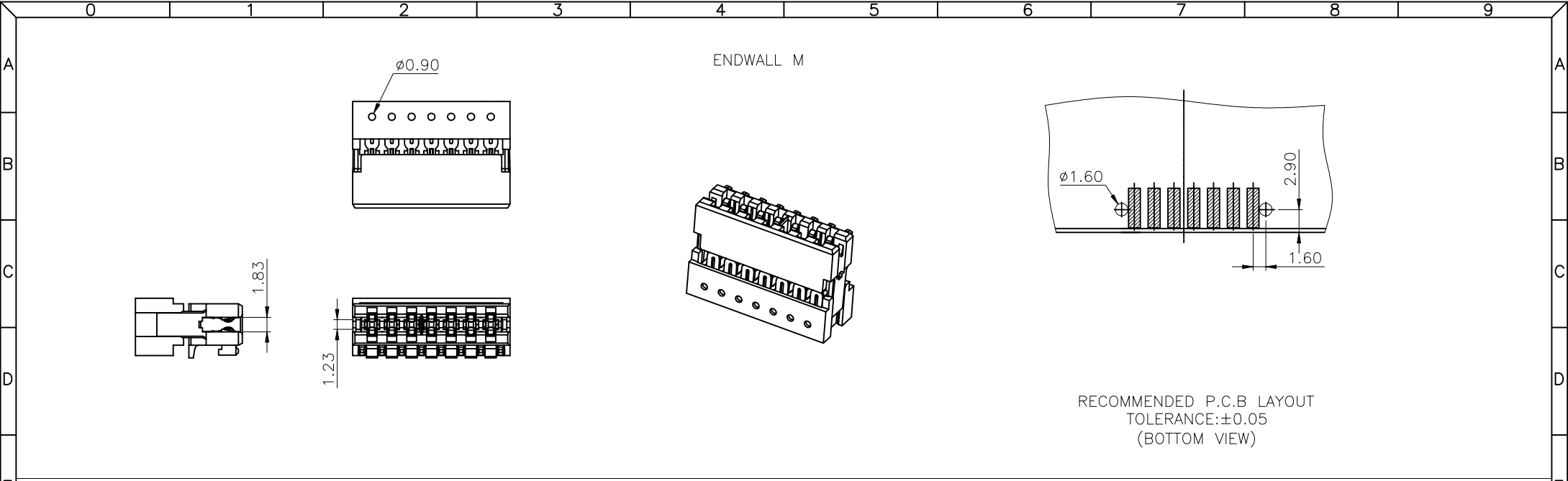
RECOMMENDED P.C.B LAYOUT
TOLERANCE:±0.05
(BOTTOM VIEW)

ENDWALL O(OPEN)



RECOMMENDED P.C.B LAYOUT
TOLERANCE:±0.05
(BOTTOM VIEW)

				UNLESS OTHERWISE SPECIFIED TOLERANCES ARE	客户图 Drawings	北极大电子科技有限公司 BEIJIDA ELECTRONICS TECHNOLOGY CO. LIMITED					
				X.	APPROVED	DATE	PART NO				
				X.X ±0.30	Jay	2021-08-21	14106X-XXXXXXX				
				X.XX ±0.20	CHECKED	DATE	NAME				
				X.XXX	Jay	2021-08-21	2.50MM IDC FEMALE CONNECTOR				
				ANG. ±2'	DRAWN	DATE	SIZE	SCALE	SHEET	REV	
X1	NEW PRODUCT SPECIFICATIONS	JAY	2022-03-10	UNIT	Bob	2021-08-21	A4	1.5:1	4/6	X1	
X0	INITIAL REVISION	JAY		MM							
SER	REVISIONS	CHK	DATE								



				UNLESS OTHERWISE SPECIFIED TOLERANCES ARE	客户图 Drawings		北极大电子科技有限公司			
				X.	APPROVED	DATE	PART NO			
				X.X ± 0.30	Jay	2021-08-21	14106X-XXXXXXX			
				X.XX ± 0.20	CHECKED	DATE	NAME			
				X.XXX	Jay	2021-08-21	2.50MM IDC FEMALE CONNECTOR			
				ANG. $\pm 2'$	DRAWN	DATE	SIZE	SCALE	SHEET	REV
X1	NEW PRODUCT SPECIFICATIONS	JAY	2022-03-10	UNIT	Bob	2021-08-21	A4	1.5:1	5/6	X1
X0	INITIAL REVISION	JAY		MM						
SER	REVISIONS	CHK	DATE							

PART NUMBER 14106X-XX XX X X X

LATCH POSITION (ENDWALL M)	
0	NONE
1	CCT 2
2	LAST CCT2
3	CCT 2&LAST CCT 2
4	CCT3
9	ELSE

POLARIZING RIB BETWEEN (ENDWALL M)	
70	NONE
71	1&2
72	2&3
73	3&4
74	4&5
75	5&6
76	6&7
77	7&8
78	8&9
79	9&10
80	10&11
81	11&12
82	12&13
83	13&14
84	14&15
85	15&16
86	16&17
87	17&18
88	18&19
89	19&20

PIN NO.	
02	2PIN
03	3PIN
04	4PIN
05	5PIN
06	6PIN
07	7PIN
08	8PIN
09	9PIN
10	10PIN
11	11PIN
12	12PIN
13	13PIN
14	14PIN
15	15PIN
16	16PIN
17	17PIN
18	18PIN
19	19PIN
20	20PIN

SEQUENCE NO.:
0-9

ENDWALL	
0	OPEN
1	ENDWALL E
2	ENDWALL C
3	ENDWALL D
4	ENDWALL F
5	ENDWALL L
6	ENDWALL J
7	ENDWALL k
8	ENDWALL M
9	ENDWALL N

REMOVED POSITION KEYS AND TERMINALS (ENDWALL M)	
0	NONE(NOT REMOVED)
1-9	THE OTHERS (SEE P/N LIST TABLE)

P/N LIST TABLE:

PART NUMBER	REMOVED POSITION KEYS	TERMINAL VOID POSITION	PART NUMBER	REMOVED POSITION KEYS	TERMINAL VOID POSITION	PART NUMBER	REMOVED POSITION KEYS	TERMINAL VOID POSITION
141060-7103250	NONE	NONE	141060-7003200	NONE	NONE	141060-7405200	NONE	NONE
141060-7104250	NONE	NONE	141060-7003201	a	NONE	141060-7005201	abef	NONE
141061-7204220	NONE	NONE	141060-7003202	c	NONE	141060-7105200	NONE	NONE
141060-7305250	NONE	NONE	141060-7003203	d	NONE	141060-7205201	abef	NONE
141060-7405250	NONE	NONE	141060-7003204	ac	NONE	141060-7005202	cf	CCT 234
141060-7206250	NONE	NONE	141060-7003205	ab	NONE	141060-7406200	NONE	NONE
141060-7406210	NONE	NONE	141060-7003206	bd	CCT 2	141060-7006201	abdf	NONE
141064-7506230	NONE	NONE	141060-7003221	a	NONE	141060-7406202	aceg	NONE
141060-7207250	NONE	NONE	141060-7003232	c	NONE	141060-7007201	acf	CCT 12346
141060-7308250	NONE	NONE	141060-7004201	bcd	NONE	141060-7011200	NONE	CCT 567
141060-7005210	NONE	NONE				141060-7006202	aceg	NONE
141060-7009210	NONE	NONE						
141060-7102280	NONE	NONE						
141060-7407280	NONE	NONE						
141060-7307280	NONE	NONE						
141060-7105290	NONE	NONE						

UNLESS OTHERWISE SPECIFIED TOLERANCES ARE
X. ±0.30
X.X ±0.20
X.XXX
ANG. ±2'

客户图
Drawings

北极大电子科技有限公司
BEIJIDA ELECTRONICS TECHNOLOGY CO. LIMITED

APPROVED DATE PART NO
Jay 2021-08-21 14106X-XXXXXXX
CHECKED DATE NAME
Jay 2021-08-21 2.50MM IDC FEMALE CONNECTOR

X1	NEW PRODUCT SPECIFICATIONS	JAY	2022-03-10
X0	INITIAL REVISION	JAY	2021-08-21
SER	REVISIONS	CHK	DATE



DRAWN DATE SIZE SCALE SHEET REV
Bob 2021-08-21 A4 1.5:1 6/6 X1