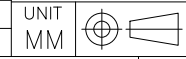


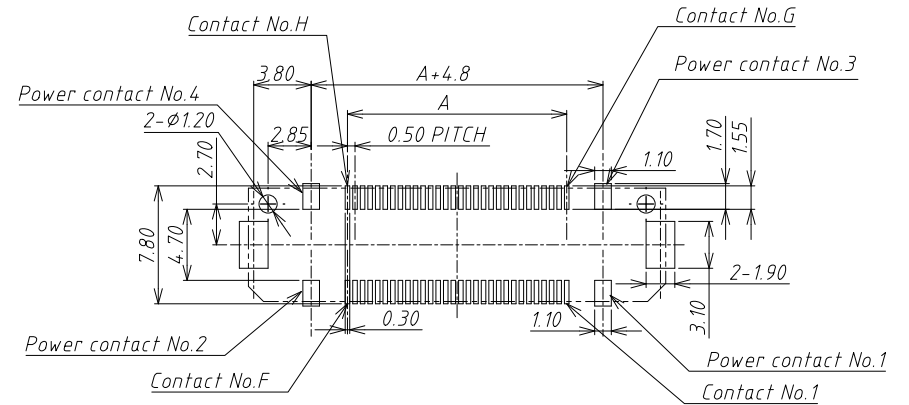
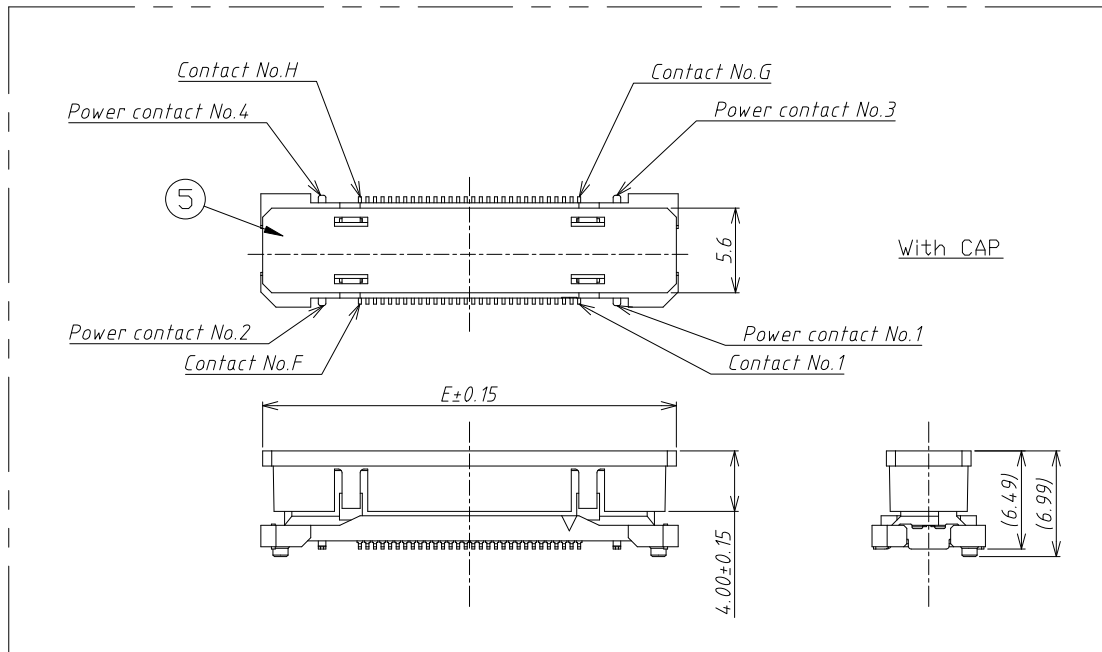
P/N	CKT	A	B	C	D	E
123048-6020X0-HF	20	4.50	9.50	15.97	17.60	17.36
123048-6030X0-HF	30	7.00	12.00	18.47	20.10	19.86
123048-6040X0-HF	40	9.50	14.50	20.97	22.60	22.36
123048-6050X0-HF	50	12.00	17.00	23.47	25.10	24.86
123048-6060X0-HF	60	14.50	19.50	25.97	27.60	27.36
123048-6080X0-HF	80	19.50	24.50	30.97	32.60	32.36
123048-6000X0-HF	100	24.50	29.50	35.97	37.60	37.36
123048-6002X0-HF	120	29.50	34.50	40.97	42.60	42.36

5	CAP	1	LCP, UL94V-0, Black	N/A
4	Hook	2	Copper alloy	Under: Ni 50~100u", Tail: Tin 80~150u"
3	Power contact	4	Copper alloy	See Table-1.
2	Signal contact	Pin number	Copper alloy	See Table-1.
1	Insulator	1	Polyamide, UL94V-0, Black	N/A
No.	Part name	Quantity	Material	Plating

				UNLESS OTHERWISE SPECIFIED TOLERANCES ARE		客户图 Drawings		北极大电子科技有限公司 BEIJIDA ELECTRONICS TECHNOLOGY CO. LIMITED				
				X.	±0.20	APPROVED		DATE		COMPUTER NO		
				X.X	±0.10	TS Chen		2022-09-30		123048-60XXX0-HF		
				X.XX	±0.10	CHECKED		DATE		NAME		
				X.XXX	±0.30'	TS Chen		2022-09-30		BTB0.5-5D PLUG (SMT TYPE) Page 1/2		
				ANG.	±0.30'	DRAWN		DATE		SIZE	SCALE	REV
SER REVISIONS				CHK	DATE	QF Dong		2022-09-30		A4	2:1	B

Notes	Author	Check	Date
Notes update.	QF.DONG		2022-12-18
Official release.	QF.DONG		2022-09-30





Recommended land pattern dimension of PCB
(PCB thickness: T=1.0mm, General tol ±0.05)

Table-1

Plating Code	Power contact			Signal contact		
	Under	Contact	Tail	Under	Contact	Tail
5	Ni 60~200u"	Au 4u" MIN.	Au 2~8u"	Ni 60~200u"	Au 4u" MIN.	Au 2~8u"
6	Ni 60~200u"	Au 1u" MIN.	Tin 80~150u"	Ni 60~200u"	Au 1u" MIN.	Tin 80~150u"
7	Ni 60~200u"	Au 30u" MIN.	Au 2~8u"	Ni 60~200u"	Au 30u" MIN.	Au 2~8u"

NOTES:

- ▲ means Key dimensions, △ means Important dimensions.
- PART NO. Specifications : 123048-60XXX0-HF

Plating code, see Table-1.

Code of signal contact quantity.

				UNLESS OTHERWISE SPECIFIED TOLERANCES ARE		客户图 Drawings		北极大电子科技有限公司 BEIJIDA ELECTRONICS TECHNOLOGY CO. LIMITED			
				X. ±0.20		APPROVED		DATE		COMPUTER NO	
				X.XX ±0.10		TS Chen		2022-09-30		123048-60XXX0-HF	
				X.XXX		CHECKED		DATE		NAME	
				ANG. ±0°30'		TS Chen		2022-09-30		BTB0.5-5D PLUG (SMT TYPE) Page 2/2	
				UNIT		DRAWN		DATE		SIZE	
				MM		QF Dong		2022-09-30		SCALE	
				SER						REV	
				REVISIONS						2:1	
				CHK						B	
				DATE							