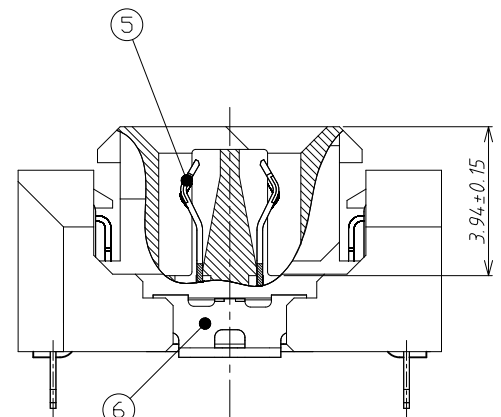
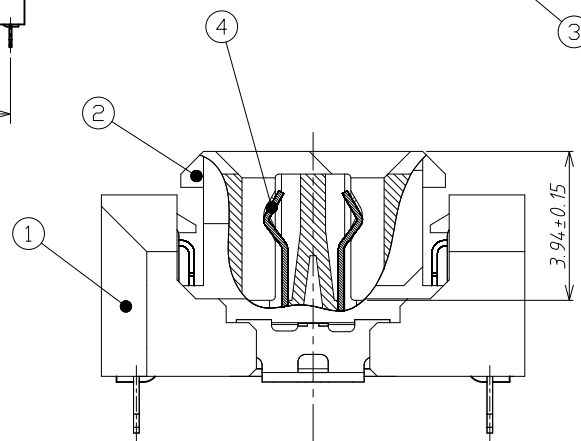
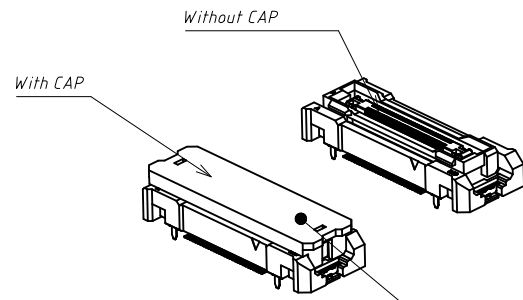


| P/N              | CKT | A     | B     | △ C   | D     | E     |
|------------------|-----|-------|-------|-------|-------|-------|
| 123041-602050-HF | 20  | 4.50  | 9.50  | 19.45 | 21.70 | 21.11 |
| 123041-603050-HF | 30  | 7.00  | 12.00 | 21.95 | 24.20 | 23.61 |
| 123041-604050-HF | 40  | 9.50  | 14.50 | 24.45 | 26.70 | 26.11 |
| 123041-605050-HF | 50  | 12.00 | 17.00 | 26.95 | 29.20 | 28.61 |
| 123041-606050-HF | 60  | 14.50 | 19.50 | 29.45 | 31.70 | 31.11 |
| 123041-608050-HF | 80  | 19.50 | 24.50 | 34.45 | 36.70 | 36.11 |
| 123041-600050-HF | 100 | 24.50 | 29.50 | 39.45 | 41.70 | 41.11 |
| 123041-600250-HF | 120 | 29.50 | 34.50 | 44.45 | 46.70 | 46.11 |

NOTES:  
 1. "▲" means Key dimensions, "△" means Important dimensions.  
 2. PART NO. Specifications: 123041-60XX50-HF  
 → XX: Quantity code of signal contacts.

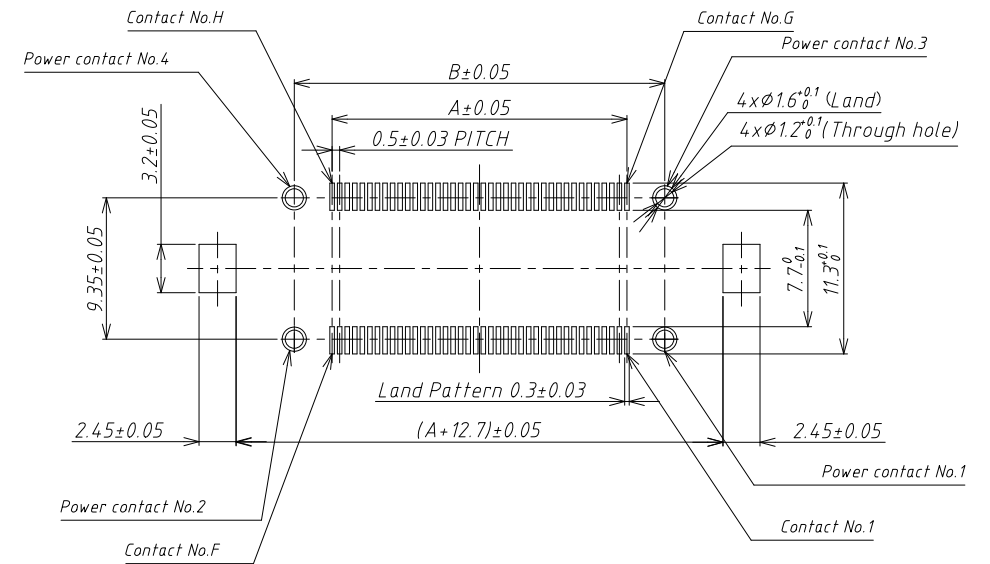
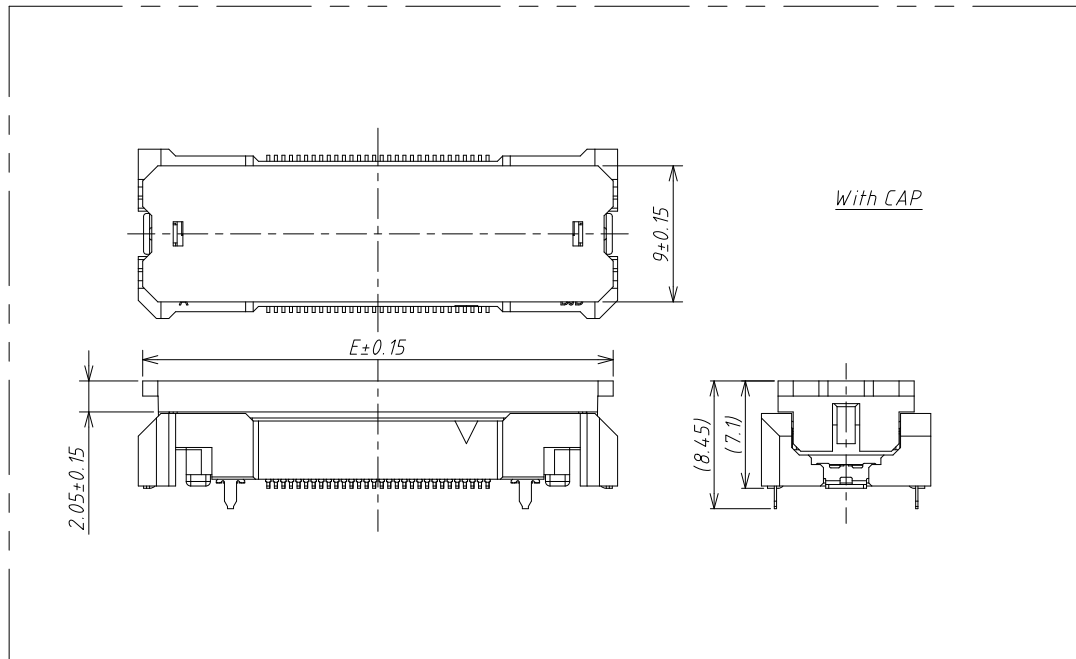


|     |                |            |                           |  |
|-----|----------------|------------|---------------------------|--|
| 6   | Hook           | 2          | Copper Alloy              | Under: Ni 50~100u",<br>Tail: Tin 80~150u"                          |
| 5   | Power contact  | 4          | Copper Alloy              | Under: Ni 60~200u",<br>Contact: Au 4u" MIN.,<br>Tail: Tin 80~150u" |
| 4   | Signal contact | Pin number | Copper Alloy              | Under: Ni 60~200u",<br>Contact: Au 4u" MIN.,<br>Tail: Au 2u" MIN.  |
| 3   | Cap            | 1          | Polyamide, UL94V-0, Black | N/A  |
| 2   | Insulator      | 1          | Polyamide, UL94V-0, Black | N/A  |
| 1   | Guide          | 1          | Polyamide, UL94V-0, Black | N/A  |
| NO. | Part name      | Quantity   | Material                  | Plating  |

| SER | REVISIONS | CHK | DATE |
|-----|-----------|-----|------|
|     |           |     |      |
|     |           |     |      |
|     |           |     |      |

|   |        |
|---|--------|
| UNLESS OTHERWISE SPECIFIED TOLERANCES ARE |        |
| X.  |        |
| X.X                                       | ±0.20  |
| X.XX                                      | ±0.10  |
| X.XXX                                     |        |
| ANG.                                      | ±0°30' |

| 客户图 Drawings |            | 北极大电子科技有限公司<br>BEIJIDA ELECTRONICS TECHNOLOGY CO. LIMITED |       |     |
|--------------|------------|---|-------|-----|
| APPROVED     | DATE       | COMPUTER NO   |       |     |
| TS Chen      | 2022-08-01 | 123041-60XX50-HF  |       |     |
| CHECKED      | DATE       | NAME  |       |     |
| QF DONG      | 2022-08-01 | BTB0.5-5A REC (THR TYPE) Page 1/2                         |       |     |
| DRAWN        | DATE       | SIZE  | SCALE | REV |
| Kuan He      | 2022-08-01 | A4  | 2:1   | C   |



Recommended land pattern dimension of PCB  
(PCB thickness: T=1.6mm)

|     |           |     |      |   |        |                 |            |   |       |     |
|-----|-----------|-----|------|---|--------|-----------------|------------|---|-------|-----|
|     |           |     |      | UNLESS OTHERWISE SPECIFIED TOLERANCES ARE |        | 客户图<br>Drawings |            | 北极大电子科技有限公司<br>BEIJIDA ELECTRONICS TECHNOLOGY CO. LIMITED |       |     |
|     |           |     |      | X.  |        | APPROVED        | DATE       | COMPUTER NO   |       |     |
|     |           |     |      | X.X                                       | ±0.20  | TS Chen         | 2022-08-01 | 123041-60XX50-HF  |       |     |
|     |           |     |      | X.XX                                      | ±0.10  | CHECKED         | DATE       | NAME  |       |     |
|     |           |     |      | X.XXX                                     |        | QF DONG         | 2022-08-01 | BTB0.5-5A REC (THR TYPE) Page 2/2                         |       |     |
|     |           |     |      | ANG.                                      | ±0°30' | DRAWN           | DATE       | SIZE  | SCALE | REV |
| SER | REVISIONS | CHK | DATE | UNIT                                      | MM     | Kuan He         | 2022-08-01 | A4  | 2:1   | C   |