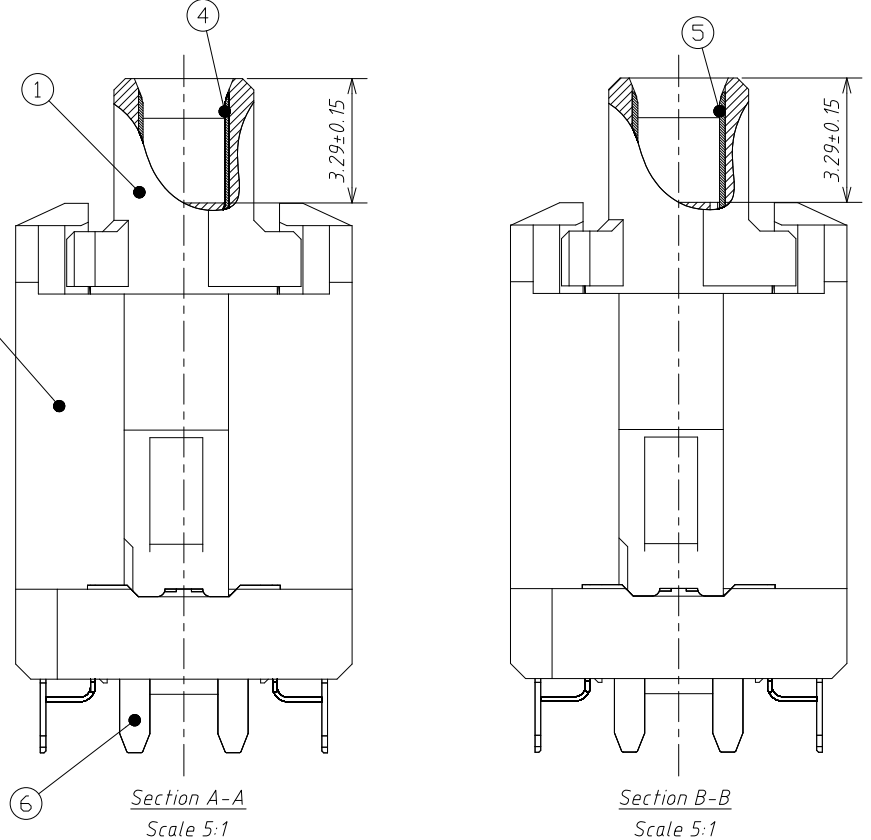


PART NUMBER	No. OF POSITION	A	B	C	D	E
123039-602050	20	4.50	9.50	17.50	18.96	17.36
123039-603050	30	7.00	12.00	20.00	21.46	19.86
123039-604050	40	9.50	14.50	22.50	23.96	22.36
123039-605050	50	12.00	17.00	25.00	26.46	24.86
123039-606050	60	14.50	19.50	27.50	28.96	27.36
123039-608050	80	19.50	24.50	32.50	33.96	32.36
123039-600050	100	24.50	29.50	37.50	38.96	37.36
123039-600250	120	29.50	34.50	42.50	43.96	42.36

NOTES:  
 1. "▲" means Key dimensions, "△" means Important dimensions.  
 2. PART NO. Specifications : 123039-60XX50

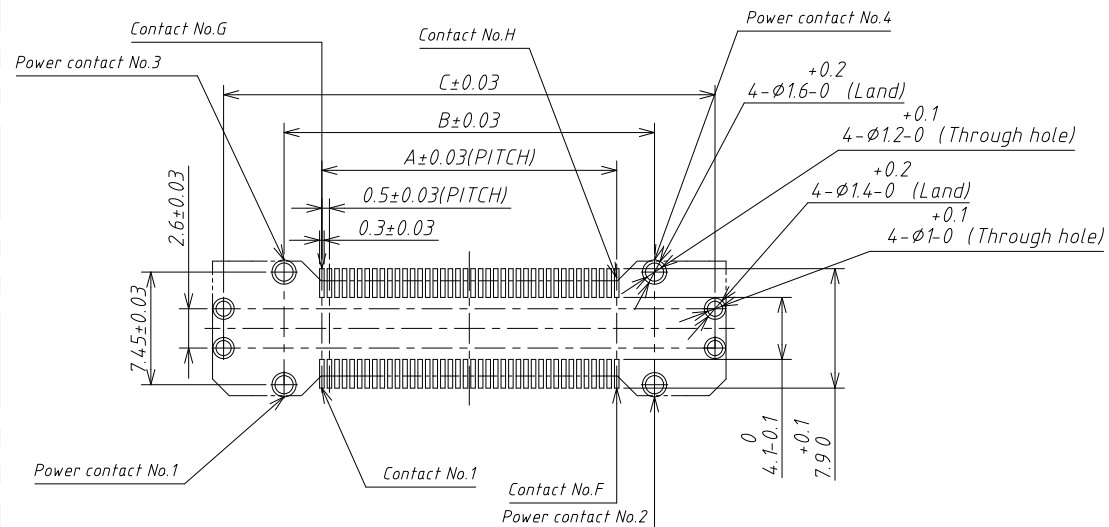
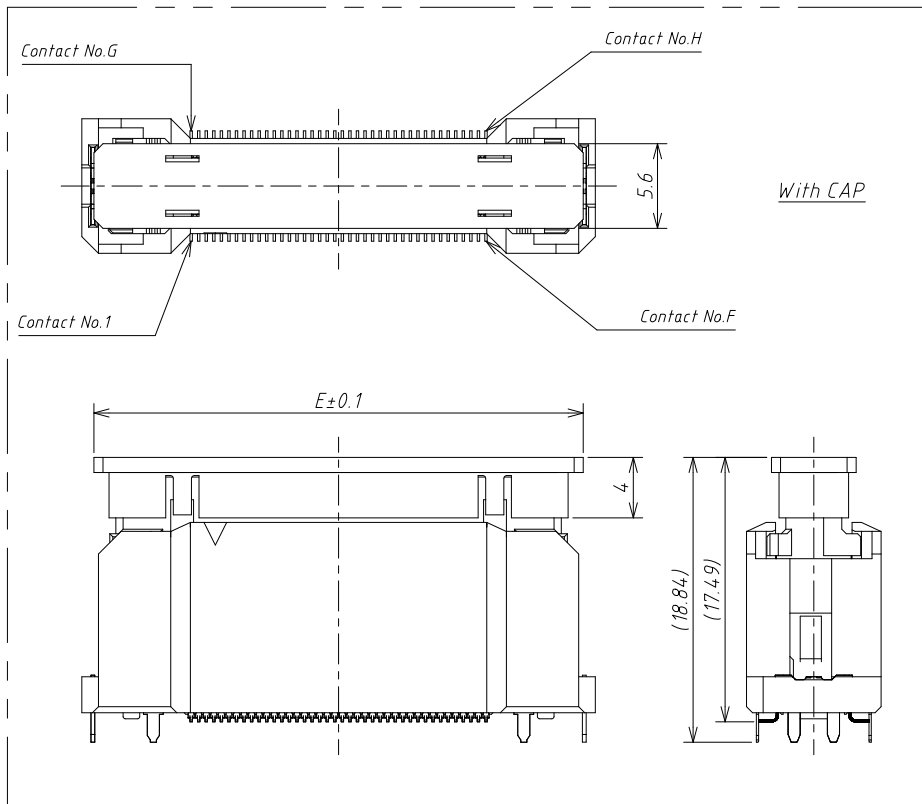
XX: Code of signal contact quantity



No.	Part name	Quantity	Material	Plating
6	Hook	2	Copper alloy	Under: Ni 50~100u", Tail: Tin 80~150u"
5	Power contact	4	Copper alloy	Under: Ni 60~200u", Contact: Au 4u" Min, Tail: Tin 80~150u"
4	Signal contact	Pin number	Copper alloy	Under: Ni 60~200u", Contact: Au 4u" Min, Tail: Au 2u" MIN, ▲
3	CAP	1	LCP, UL94V-0, Black	N/A
2	Guide	1	Polyamide, UL94V-0, Black	N/A
1	Insulator	1	Polyamide, UL94V-0, Black	N/A

SER	REVISIONS	CHK	DATE	UNIT	MM
△	Correction update	GY.CEN	2023-10-23	X.	±0.20
△	Correction update	QF.DONG	2022-07-15	X.X	±0.10
△	Correction update	QF.DONG	2022-07-01	X.XX	ANG.
△	Change the tol	Kuan He	2022-03-02	X.XXX	±0°30'
	New released	Kuan He	2022-02-10		

客户图 Drawings		北极大电子科技有限公司 BEIJIDA ELECTRONICS TECHNOLOGY CO. LIMITED		
APPROVED	DATE	COMPUTER NO		
TS Chen	2022-02-10	123039-60XX50		
CHECKED	DATE	NAME		
QF DONG	2022-02-10	BTB0.5-5H PLUG (THR TYPE) Page 1/2		
DRAWN	DATE	SIZE	SCALE	REV
Kuan He	2022-02-10	A4	2:1	E



Recommended land pattern dimension of PCB

(PCB thickness: T=1.6mm)

				UNLESS OTHERWISE SPECIFIED TOLERANCES ARE		客户图 Drawings		北极大电子科技有限公司 BEIJIDA ELECTRONICS TECHNOLOGY CO. LIMITED			
				X.            ±0.20		APPROVED TS Chen		DATE 2022-02-10		COMPUTER NO 123039-60XX50	
				X.XX        ±0.10		CHECKED QF DONG		DATE 2022-02-10		NAME BTB0.5-5H PLUG (THR TYPE) Page 2/2	
				X.XXX		DRAWN Kuan He		DATE 2022-02-10		SIZE A4	
				ANG.       ±0°30'		UNIT MM		SCALE 2:1		REV E	
SER	REVISIONS	CHK	DATE								