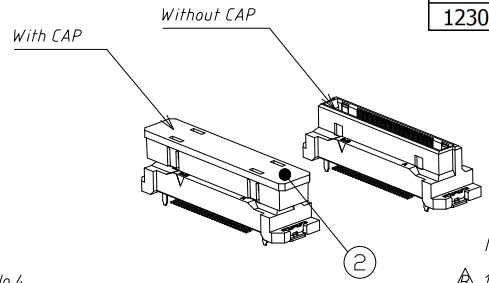
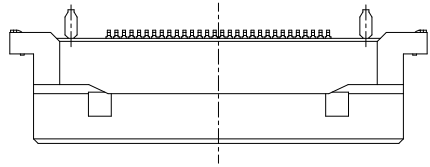
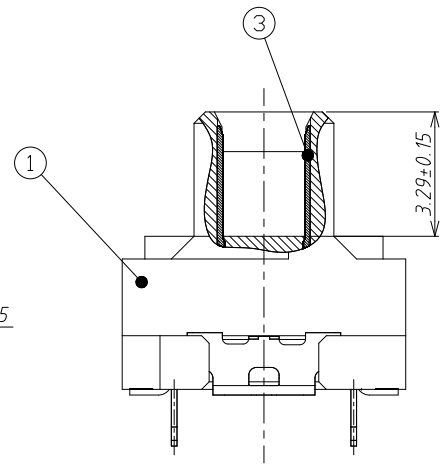
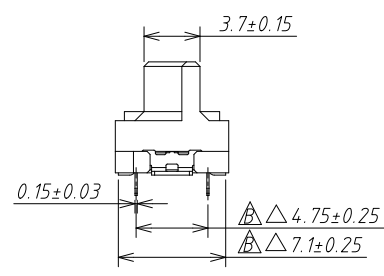
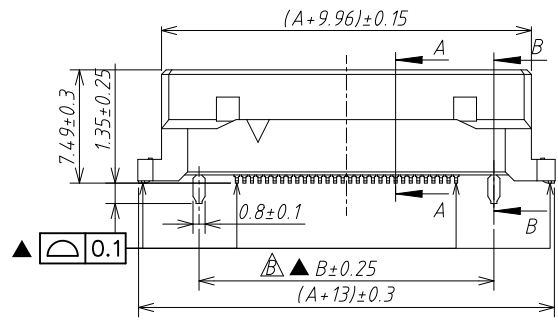
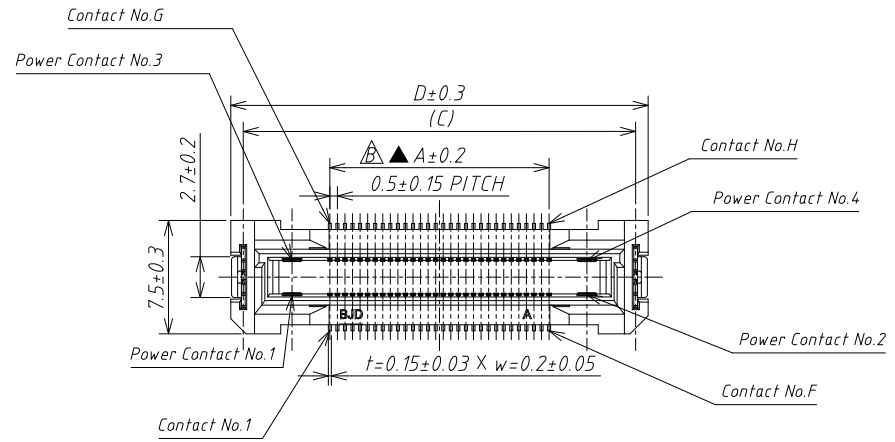


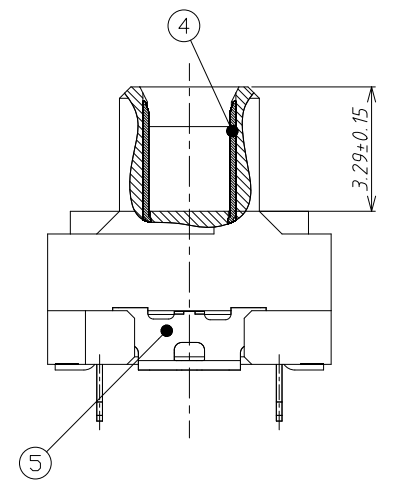
PART NUMBER	No. OF POSITION	A	B	C	D	E
123043-602050-HF	20	4.50	9.50	15.95	17.60	17.36
123043-603050-HF	30	7.00	12.00	18.45	20.10	19.86
123043-604050-HF	40	9.50	14.50	20.95	22.60	22.36
123043-605050-HF	50	12.00	17.00	23.45	25.10	24.86
123043-606050-HF	60	14.50	19.50	25.95	27.60	27.36
123043-608050-HF	80	19.50	24.50	30.95	32.60	32.36
123043-600050-HF	100	24.50	29.50	35.95	37.60	37.36
123043-600250-HF	120	29.50	34.50	40.95	42.60	42.36



NOTES:  
 1. "▲" means Key dimintions, "△" means Important dimensions.  
 2. PART NO. Specifications : 123043-60XX50-HF  
 → XX: Quantity code of signal contacts.

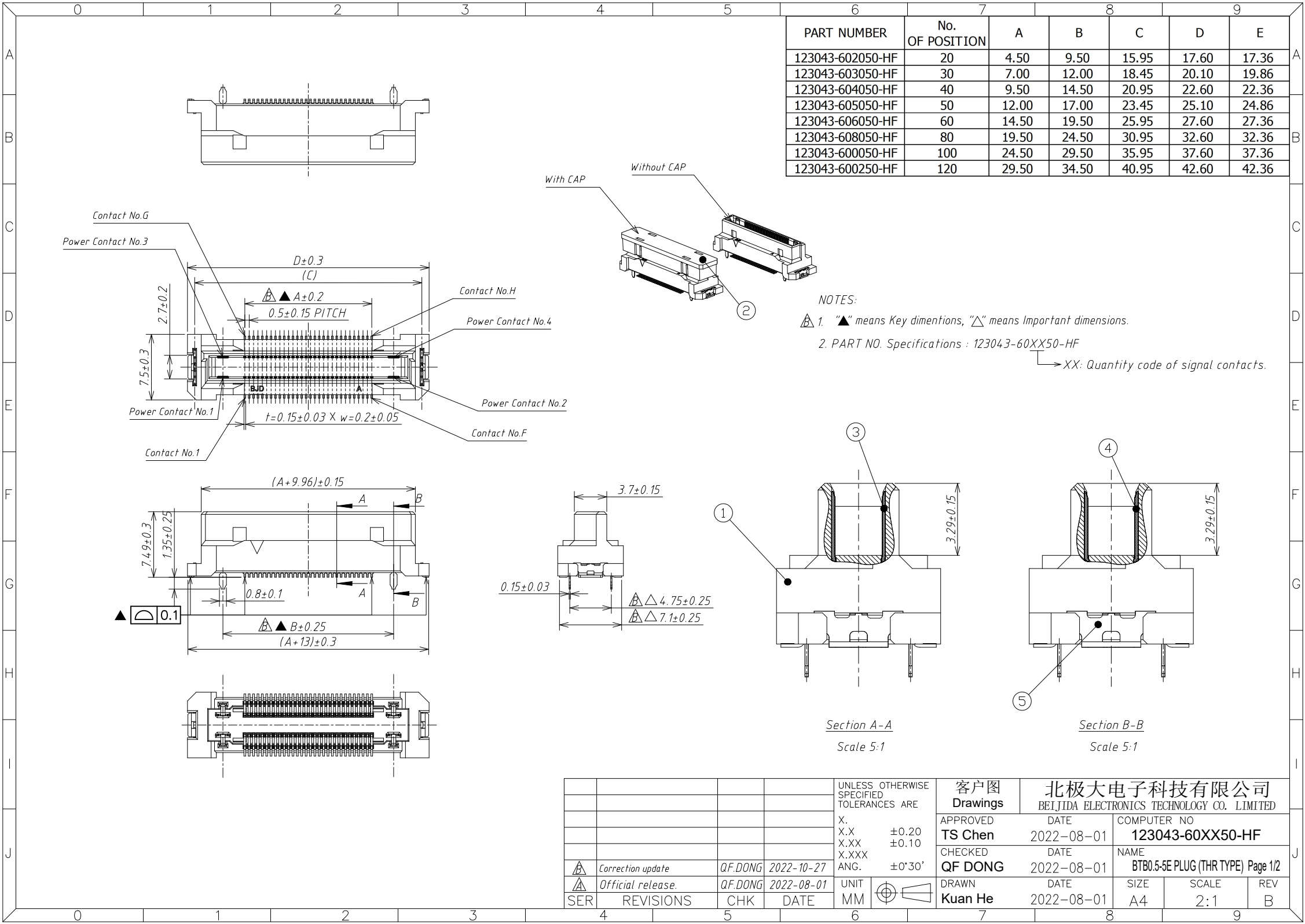


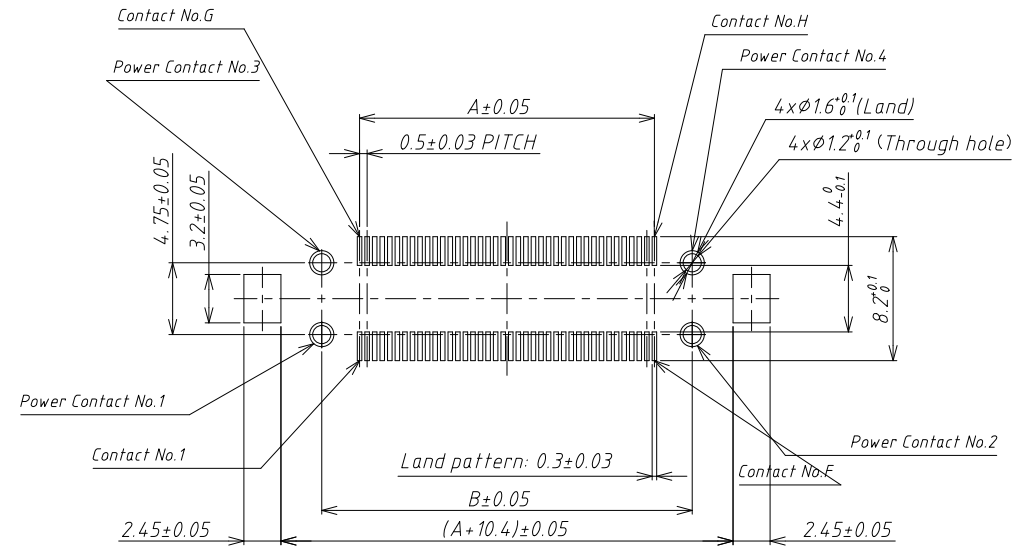
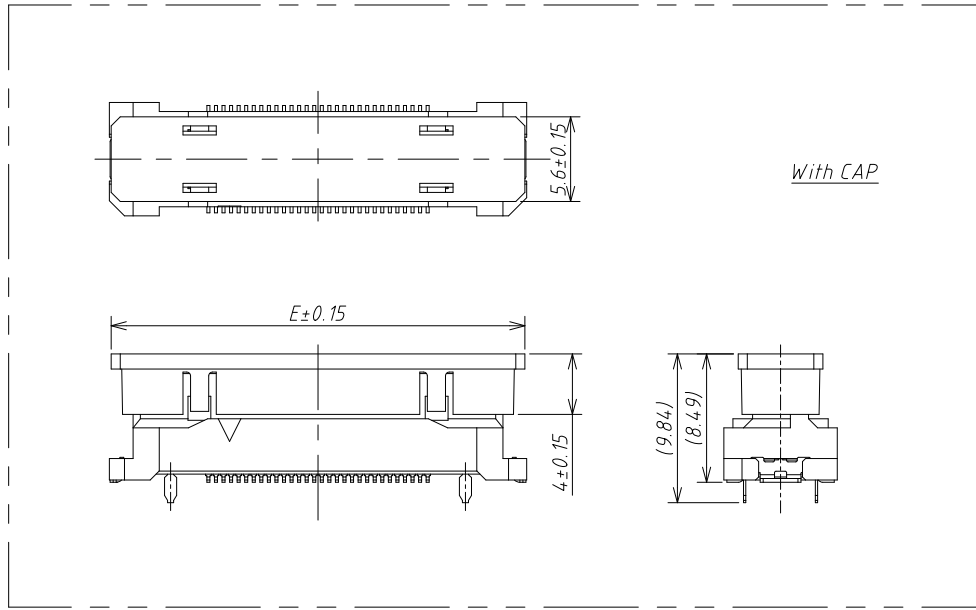
Section A-A  
Scale 5:1



Section B-B  
Scale 5:1

				UNLESS OTHERWISE SPECIFIED TOLERANCES ARE	客户图 Drawings		北极大电子科技有限公司 BEIJIDA ELECTRONICS TECHNOLOGY CO. LIMITED		
				X. ±0.20	APPROVED	DATE	COMPUTER NO		
				X.X ±0.10	TS Chen	2022-08-01	123043-60XX50-HF		
				X.XX ±0.10	CHECKED	DATE	NAME		
				X.XXX ±0.10	QF DONG	2022-08-01	BTB0.5-5E PLUG (THR TYPE) Page 1/2		
				ANG. ±0°30'	DRAWN	DATE	SIZE	SCALE	REV
SER REVISIONS				UNIT	Kuan He	2022-08-01	A4	2:1	B
CHK DATE				MM					





Recommended land pattern dimension of PCB  
(PCB thickness: T=1.6mm)

5	Hook	2	Copper Alloy	Under: Ni 50~100u", Tail: Tin 80~150u"
4	Power contact	4	Copper Alloy	Under: Ni 60~200u", Contact: Au 4u" MIN., Tail: Tin 80~150u"
3	Signal contact	Pin number	Copper Alloy	Under: Ni 60~200u", Contact: Au 4u" MIN., Tail: Au 2u" MIN.
2	Cap	1	Polyamide, UL94V-0, Black	N/A
1	Insulator	1	Polyamide, UL94V-0, Black	N/A
NO.	Part name	Quantity	Material	Plating

SER	REVISIONS	CHK	DATE	UNLESS OTHERWISE SPECIFIED TOLERANCES ARE	客户图 Drawings	北极大电子科技有限公司 BEIJIDA ELECTRONICS TECHNOLOGY CO. LIMITED			
				X. ±0.20	APPROVED	DATE	COMPUTER NO		
				X.X ±0.10	TS Chen	2022-08-01	123043-60XX50-HF		
				X.XXX	CHECKED	DATE	NAME		
				ANG. ±0°30'	QF DONG	2022-08-01	BTB0.5-5E PLUG (THR TYPE) Page 2/2		
				UNIT	DRAWN	DATE	SIZE	SCALE	REV
				MM	Kuan He	2022-08-01	A4	2:1	B